

PIZZA OVENS

INSTRUCTION FOR INSTALLATION AND USE
DIE GEBRAUCHS UND INSTALLATIONSANWEISUNG
NOTICE D'INSTALLATION ET D'EMPLOI
NÁVOD K OBSLUZE A INSTALACI



P 4, P 6, P 8, P 9, P 12, P 18





CONTENT

Declaration of a standards conformity	3
Instruction for use	6
Cleaning and maintenance	7

INHALT



Die Normenübereinstimmungsdeklaration	8
Gebrauchsanweisung	11
Die Reinigung und Instandhaltung	12

CONTENU



Déclaration de conformité	13
Mode d'emploi	16
Nettoyage et entretien	17

OBSAH



Prohlášení o souladu s normami	27
Návod k použití	30
Čistění a údržba	32

DECLARATION OF A STANDARDS CONFORMITY

The producer confirms that the devices agree with 2004/108/ES, 2006/95/ES standards, rule nr. 616/2006 sb., 17/2003 sb. and with relevant government orders. Installation must be done with respect to valid standards. Attention, the producer refuses any responsibility in case of direct or indirect damages which are caused due to wrong installation, incorrect intervention or modification, insufficient maintenance, incorrect use and also possibly caused by other reasons presented by items in sale conditions. This appliance is set only for skilled use and must be operated by qualified persons only. Parts set and secured by the producer or accredited person must not be rebuilt by user.

TECHNICAL DATA

Label with technical data is placed on the back side of the device. Study the electrical diagram of connection and all following information before installation.

PRODUCT TYPE	VOLTAGE (V/HZ)	NUMBER OF THERMOSTATS (ITEMS)	POWER INPUT MAX. (KW)	DIMENSIONS (CM)	CHAMBER DIMENSIONS (CM)
P - 4	400 V, 3N, 50 Hz	2	4,8	98 x 92 x 42 v	70 x 70 x 15 v
P - 6	400 V, 3N, 50 Hz	2	7,2	98 x 121 x 42 v	70 x 105 x 15 v
P - 6 L	400 V, 3N, 50 Hz	2	8	131 x 92 x 42 v	105 x 70 x 15 v
P - 9	400 V, 3N, 50 HZ	2	12	131 x 121 x 42 v	105 x 105 x 15 v
P - 8	400 V, 3N, 50 HZ	4	9,6	98 x 92 x 76 v	2x 70 x 70 x 15 v
P - 12	400 V, 3N, 50 HZ	4	14,4	98 x 127 x 75 v	2x 70 x 105 x 15 v
P - 12 L	400 V, 3N, 50 HZ	4	16	131 x 92 x 75 v	2x 105 x 70 x 15 v
P - 18	400 V, 3N, 50 HZ	4	24	131 x 127 x 75 v	2x 105 x 105 x 15 v

PACKING AND DEVICE CHECK

The device leaves our stocks properly packed with appropriate symbols and labels. There are also appropriate instructions for use. In case the packing shows bad handling or damage, it must be reclaimed at transporter immediately by writing and signing of a damage protocol.

Important notice:

- only for professional use
- this instructing guide must be read properly and carefully because it contains important information about safety elements, installation, use
- these recommendations refer to this product
- this product corresponds with valid standards
- this guide must be properly deposited for future use
- keep the children away from manipulation with the product
- when selling or moving the product to another place it is necessary to make yourself sure that the staff or the professional service has got acquainted with control and installation instructions from enclosed guide
- only authorised person can operate the product
- it can not be switched on without supervision
- we recommend to have the product checked by professional service min. once a year
- only original spare parts can be used for repairs
- the product can not be cleaned by the water jet or pressure shower
- by damage or break down disconnect all the feeders (water, gas, electricity) and call professional service
- producer refuses any responsibility in case of damages caused by wrong installation, by disobeying of above mentioned recommendations or by other use etc.

PLACEMENT

The device must be installed in well ventilated room what is necessary for regulation of the function of the device (technician must go by valid standard (EN....). If the device is situated close to the wall or if it is in contact with the furniture walls, these walls must resist the temperatures ranging to 90°C. Installation, setting, putting into operation must be done by qualified person who is competent for this and according to the valid standards.

Wrap up the device and check whether it was not damaged during transport. Settle the device on horizontal surface (max imbalance 2°).Settle the device under the fumehood to eliminate water steam and bad smell. The device can be installed separately or in a set with devices of our production. Min. distance 10 cm from other subjects must be kept.It is also necessary to prevent our product from contact with combustible materials. In this case you must make corresponding changes to secure heat izolation of combustible parts. Safety measures from the standpoint of the fire protection according to EN 061008čl. 21:

TECHNICAL INSTRUCTIONS FOR INSTALATION AND REGULATION

Important:

The manufacturer does not provide warranty for defects caused by improper use, failure to instructions contained in the attached instructions for use and mistreatment of the appliances.

Installation, adjustment and repair of appliances for kitchens, as well as their removal because of possible damage to the gas can be carried out only under a maintenance contract, this contract may be signed with an authorized dealer, and must be complied with regulations and technical standards and regulations regarding the installation, power supply, gas connection and health & safety system.

These instructions are intended for the qualified technician who must perform the installation, put it into operation and test the appliance.

Any activity as settings, placement, rebalancing etc, must be made only when is device disconnected from electricity. If it is necessary to have the device connected to the electricity you must keep the highest attention to avoid any injuries.

DEVICE INSTALATION

Instalation, setting, rebuilding for another gas type, putting into operation must be done by qualifi ed person whois competent for this and according to the valid standards. The device can be installed in good ventilated room. When it is possible place the device under the fumehood to suck off the products of combustion. Air needv to the burnina is 2m³/h/kW of the performance of the instaled device. The device can be installed

CONNECTION OF THE ELECTRIC CABLE TO THE ELECTRICITY

Installation of electric feeder - This feeder must be separately protected by a safety fuse according to the specific electric stream which depends on the wattage of the installed device. Check the wattage on the label at the back of the device. Connect the device directly to the electricity but you must put the switch between the device and electric net. The switch must be placed in min. distance 3 mm between the particular contacts according to the standards and loading. The feeder of grounding (yellow-green) cannot be interrupted by this switch. In every case feeding cable must be placed so that no point of the cable will reach the temperature which is 50°C higher than the temperature of the surrounding. Before connecting the device check that:

- safety fuse of the feeder and inner mains can stand the loading of the device (see label of the matrix)
- mains are equipped with effective grounding according to standards (ČSN) and conditions given by law
- socket or switch of the feed is well accessible from device

We refuse any responsibility in case of not respecting above mentioned rules. Before the first use it is necessary to remove all the protection foil and to clean the device - see chapter „cleaning and maintenance“.

Maintenance: We recommend to have the device checked once a year by the professional service. Only qualified or competent persons can do interventions in the product.

SAFETY MEASURES FROM THE STANDPOINT OF THE FIRE PROTECTION ACCORDING TO EN 061008 ČL. 21

- only adults can operate the device
- device must be safely used in common surroundings according to EN 332000-4-462; EN 332000-4-42. You must switch the gas device off under the circumstances leading: to the danger of the temporary rise of the combustion gas or steam or during works when there is a big possibility of rise of the temporary fire danger or explosion (for example: to stick linoleum, PVC etc.).
- before you start to instal the device you must get the licence for connection to the gas feeder from the gasworks
- device must be placed so as to stand or hang on the noncombustible surface which is on each side 10 cm larger than the device. No subjects from combustible materials can be placed directly on the device or in distance which is shorter than safety distance (the shortest distance is 50 cm in the direction of the heat emission and 10 cm in other directions).- safety distances from various materials of different degree of combustion and information about the degree of comb. of common building materials - see chart:

Chart:

Combustion degree of building materials classified according to the combustion degree of materials and products (EN 730823)

A noncombustible	granit, sandstone, concretes, bricks, ceramic wallfacing tiles, plaster
B uneasily combustible	akumine, heraklite, lihnos, itavere
C1 hardly combustible	leafy wood, plywood, sirkoklit, rare paper formica
C2 middle combustible	fibreboards, solodure, cork boards, rubber, floor-coverings
C3 easily combustible	wood-fibreboards, polystyrene, polyurethane, PVC

Devices must be installed in a safe way. When installing you must respect corresponding project, safety and hygienic orders according to:

- EN 061008 fire protection of local devices and sources of heat
- EN 332000 (33 2000-4-482; 33 2000-4-42) surrounding for electric devices ČSN EN 1775 Gas supplying
- Gas fittings in the buildings - the highest operational pressure < 5 bar - operation demands
- § 10 law nr. 185/2001 Sb. about waste

INSTRUCTION FOR USE

Warning! Before you begin using this oven you must remove the protective film from its whole surface, wash it well with water containing washing up liquid and then wipe it with a damp rag. Before starting baking switch the oven on for approx. 4 hours at its 300 °C so that the residues of preservative substances are burnt off.

Before using the oven for the first time the temperature must be set to 300 °C and the oven must be kept running for 4 hours. After the oven has been prepared in this manner standard operation can be commenced.

Open and close the doors using the handles (pos. H, pic. 1). When the oven is on do not touch the metal components, you could be burnt. All control elements and the handles are protected against radiant heat. When handling foods in the baking chamber use protective aids on your hands. Do not cover the oven, not even partially, do not place anything on it.

Controls (pic. 1)

Start the oven by turning the main switch (A) to point "I" according to the label on the knob. The machine is now switched on. Use the regulation buttons on the thermostat to independently regulate the upper (B) and lower (C) heating elements, which are switched on after the required temperature is set. The pilot lights (D) for the upper and lower part of the chamber light up when the heating elements are on. To turn the heating elements off set the thermostat for the specific level to 0°C. The interior chamber lighting is turned on by pressing the backlit switch (E), switching it to "I" and turned off by switching it to "O". The lighting only works if the oven is turned on using the main switch (A).

Turning the oven off

To turn the oven off make sure that the interior lighting and the heating elements have been turned off, then turn the main switch to "0".

Control panel (pic. 1)



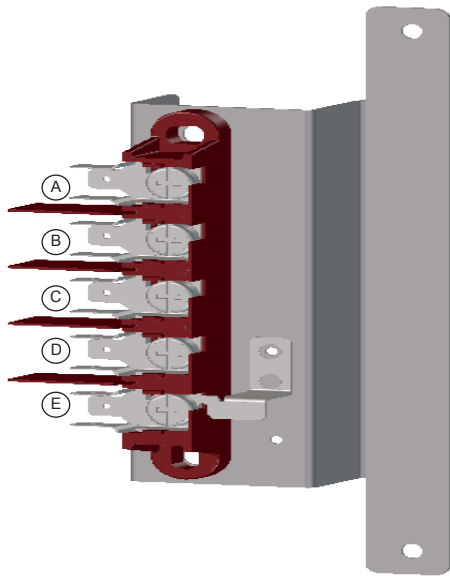
- (A) MAIN SWITCH
- (B) UPPER HEATING ELEMENT THERMOSTAT
- (C) LOWER HEATING ELEMENT THERMOSTAT
- (D) HEATING ELEMENT PILOT LIGHTS
- (E) INTERIOR LIGHTING SWITCH
- (F) THERMOMETER
- (G) VALVE DRAW-ROD

OPERATING INSTRUCTIONS

- When baking you must check the pizzas and if necessary turn them so that they are baked uniformly.
- When starting the baking process switch the chamber on with the thermostats turned to maximum. After the oven has been heated set the thermostats to operating temperature.
- The temperature set on the upper and lower thermostat is not usually identical (a lower temperature on the bottom thermostat).
- When the oven is switched on and empty the temperature of the fire-clay slabs rises from the upper heating elements.
- In two storey ovens heat is transferred between the upper and lower chambers.
- Clean the fire-clay slabs regularly using the appropriate equipment.
- A basic set of tools can be purchased additionally for each oven.
- Only switch the light on when baking, this will extend the service life of the light bulbs.
- If too much steam is produced in the work area it can be released by opening the steam valve using the draw-rod (pos. G, pic. 1).

Connecting the supply cable, equipotential symbol (pic. 2)

- The terminal panel is located on the rear of the oven.



Oven chamber (pic. 3)



- (A) FIRE-CLAY SLABS
- (B) INTERIOR CHAMBER LIGHTING
- (D) HEATING ELEMENT SUPPORT
- (E) HEATING ELEMENTS

CLEANING AND MAINTENANCE

It is recommended to have the device checked by the professional service min. once a year. All interventions must be done by qualified person who is competent for this.

ATTENTION!

The device cannot be cleaned by direct or pressure water. Clean it daily. Daily maintenance keeps longer useful life and efficiency of the device. Before cleaning make sure to have disconnected the device from electricity. Always switch off the main feeder to the device. Stain-less parts wash with moist cleaning cloth and detergent without groove parts than wash it with clean water and dry it by the cloth. Do not use abrasive and corrosive detergents.

WHAT TO DO IN CASE OF BREAK-DOWN

Switch off the electric feeder and call seller's professional service.

INDICATION:

Guarantee does not cover all consumption parts succumable to common wear (rubber seals, bulbs, glas and plastic parts etc.). The guarantee does not refer to the devices which were not instaled in correspondance with instructions - by qualified worker, in confirmity with standards and when somebody handled incompetently the device (interventions into inner equipment) or the device was operated by nonqualified staff or at variance with instructions for use. Guarantee does not also cover the damages caused due to influence of nature or other outer intervention.

DIE NORMENÜBEREINSTIMMUNGSDEKLARATION

Der Produzent erklärt, daß die Geräte in einer Übereinstimmung mit den Vorschriften der 2004/108/ES, 2006/95/ES dem Gesetz Nr. 616/2006 sb., 17/2003 sb. der Sammlung und zugehörigen Regierungsverordnungen stehen. Die Installation muss mit der Absicht auf geltende Normen durchgeführt werden. Vorsicht, im Falle einer direkten oder indirekten Beschädigung, die sich auf falsche Installation, unrichtigen Eingriff oder Anpassungen, ungenügende Instandhaltung, unrichtige Verwendung beziehen, und welche eventuell durch andere Ursachen, als in Punkten der Verkaufsbedingungen angeführt ist, so verzichtet der Importeur auf jegliche Verantwortung. Dieses Gerät ist nur für fachliche Verwendung bestimmt und muß durch qualifizierte Person bedient werden. Teile, die nach der Einstellung durch den Hersteller oder durch befugte Person gesichert wurden, dürfen vom Benutzer keineswegs umgestellt werden.

DIE TECHNISCHEN DATEN

PRODUKT TYP	SPANNUNG (V/ HZ)	THERMOSTATEN (ST.)	LEISTUNGSBE-DARF MAX.(KW)	ABMESSUNGEN (CM)	KAMMERABME-SSUNGEN (CM)
P - 4	400 V, 3N, 50 Hz	2	4,8	98 x 92 x 42 v	70 x 70 x 15 v
P - 6	400 V, 3N, 50 Hz	2	7,2	98 x 127 x 42 v	72 x 107 x 15 v
P - 6 L	400 V, 3N, 50 Hz	2	8	131 x 92 x 42 v	107 x 72 x 15 v
P - 9	400 V, 3N, 50 HZ	2	12	131 x 127 x 42 v	107 x 107 x 15 v
P - 8	400 V, 3N, 50 HZ	4	9,6	98 x 92 x 76 v	2x 70 x 70 x 15 v
P - 12	400 V, 3N, 50 HZ	4	14,4	98 x 127 x 75 v	2x 72 x 107 x 15 v
P - 12 L	400 V, 3N, 50 HZ	4	16	131 x 92 x 75 v	2x 107 x 72 x 15 v
P - 18	400 V, 3N, 50 HZ	4	24	131 x 127 x 75 v	2x 107 x 107 x 15 v

Wichtige Hinweise

- Nur für professionellen Verbrauch geeignet
- Diese Bedienungsanleitung muss ordentlich und bedächtig gelesen werden, weil sie wichtige Informationen über Sicherheitsmerkmale, Installation und Anwendung beinhaltet
- Diese Empfehlungen beziehen auf diesen Produkt
- Der Produkt entspricht geltenden Normen
- Diese Anleitung muß ordentlich für die zukünftige Verwendung hinterlegt werden
- Hindern Sie den Kinder an Vorrichtungsm Manipulation
- Beim Verkauf oder Verlegung ist es notwendig sich zu überzeugen, daß die Bedienstperson oder Fachservis sich mit der Beherrschung und Installationsanweisung in beiliegender Anleitung, anvertraut gemacht haben.
- Das Produkt darf nur eingeschulte Bedienung bedienen
- Das Produkt darf nicht ohne Aufsicht ins Betrieb gesetzt sein
- Es ist empfohlen, minimal einmal pro Jahr eine Fachkontrolle durchführen zu lassen
- Bei eventueller Reparatur der Teilenumtauschungen müssen ausschließlich Originalteile angewendet werden
- Das Produkt darf nicht durch einen Wasserstrahl oder Druckbrause gereinigt werden
- Schalten Sie alle Leitungen (Wasser, Elektrizität, Gas) bei einer Störung oder beim schlechten Lauf aus und rufen Sie autorisierten Service an
- Der Hersteller verzichtet auf jegliche Verantwortung bei Störungen, die durch fehlerhafte Installation, Nichteinhaltung o.a. Empfehlungen, andere Verwendung u.ä, verursacht wurden

DIE PLATZIERUNG

Es ist unbedingt notwendig, zu der Regulation der Gerätetätigkeit, daß das Milieu - der Küche -, wo das Gerät installiert wird, sehr gut belüftbar ist (im Hinblick darauf: sei der Techniker sich mit geltenden Normen (EN) richtet). Wenn die Einrichtung so plaziert wird, daß sie im Mobiliarwandkontakt stehen wird, so müssen diese einer Temperatur von 90°C widerstehen. Die Installation, Herrichtung, Inbetriebnahme müssen durch qualifizierte Person, die zu solchen Vorkehrungen eine Befugnis hat und dies laut geltenden Normen nach, durchgeführt werden.

Packen Sie das Gerät aus und kontrollieren Sie, ob sich das Gerät während des Transportes nicht beschädigt hat. Platzieren Sie das Gerät auf eine waagrechte Fläche (maximale Unebenheit bis 2°). Stellen Sie das Gerät unter den Haubenabzug, damit Sie die Wasserdämpfe und den Geruch eliminieren. Das Gerät kann selbständig oder in einer Reihe mit Geräten unserer Herrstellung installiert werden. Es ist notwendig die minimale Entfernung von 10 cm zu anderen Gegenständen einzuhalten, so dass die Wärmeisolierung der brennbaren Teilen gewährleistet wird.

TECHNISCHE HINWEISE ZUR INSTALLATION UND REGELUNG

Wichtig:

Zur Benützung AUSSCHLIEßLICH nur für spezialisierte Techniker
Instruktionen, die folgen, wenden sich an den Techniker, der für die Installation qualifiziert ist, damit er alle Operationen mit der korrektesten Weise und laut der gültigen Normen durchführt.

Wichtig

Jeweils irgendeine Tätigkeit, die mit der Regulation verbunden ist u.ä, muß nur mit der aus dem Netz ausgezogenen und abgeschalteten Einrichtung vollgezogen sein.
Solange das Gerät unter der Spannung notwendig zu halten ist, eine höchste Vorsicht zu beachten vorliegt.

DIE SICHERHEITSVORRICHTUNGEN AUS DER SICHT DES FEUERSCHUTZES LAUT EN. 061008 ČL. 21

Die Einrichtungsbedienungen dürfen nur Erwachsene ausführen

- Das Gerät darf sicher in gewöhnlicher Umgebung laut EN 332000-4-482; EN 332000-4-42 verwendet werden.
- Es ist notwendig das Gerät so platzieren, daß es auf einer unbrennbaren Grundlage steht oder hängt.
- Es dürfen, auf und in eine Entfernung, die kleineremase als sicher vom Gerät bezeichnet wird, keine Gegenstände aus brennbaren Materilien (die kleinste Entfernung vom Brennbarem ist 10 cm) aufgestellt werden.
- Die sicheren Entfernungen von Massen der einzelnen Brenngrade

Tabelle:

Baumassefeuerbrenngrad ins Brenngrad (EN) der Massen und Produkte eingegliedert

A	Unbrennbar	Granit, Sandstein, beton, Ziegel, Keramikbekleidung, Putz
B	nicht einfach brennbar	Akumin, Heraklit, Lihnos, Itaver
C1	schwer brennbar	Holz, Laubbaum, Furnier Sirkoklit, Festpapier, Umakart
C2	mittel brennbar	Holzspanplatten, Solodur, Korkplatten, Hartgummi, Bodenbeläge
C3	leicht brennbar	Holzfaserverplatten, Polystyren, Polyureten, PVC

Die Bedarfsartikel müssen sicher installiert werden und sind mit regulierbaren Beinchen - zur Ausgleichen der Höhe und der Unebenheiten eingestattet.

Die Geräte müssen in einer sicheren Weise installiert werden. Bei der Installation müssen weiter betreffende Projekt-, Sicherheits-, und Hygienevorschriften respektiert werden.

- EN 06 1008 Feuerschutz der örtlichen Geräte und der Wärmquellen
- EN 33 2000 (33 2000-4-482; 33 2000-4-42) Umgebung für elektrische Geräte
- Gasversorgung - Gasleitungen in Gebäuden - Höchste Verkehrsdruck ≤ 5 Bar Verkehrsansprüche,
- § 10 des Gesetzes Nr.185/2001 Sb., der Abfälle betrifft.

DER ELEKTRISCHE KABELNETZANSCHLUSS

Die Installation der elektrischen Anknüpfung - Diese Zuleitung muß selbstständig gesichert werden. Und das durch entsprechende Sicherung des Nennstromes in der Abhängigkeit am Anschlußwert des installierten Gerätes. Kontrollieren sie den Anschlußwert des Apparates auf dem Produktionsschild im Hinterteil des Gerätes. Schließen Sie das Gerät direkt ans Netz an.

Es ist unbedingt notwendig zwischen das Gerät und das Netz einen Schalter zu legen, der eine minimale Entfernung von 3mm unter den Einzelkontakten aufweist und der auch den geltenden Normen und Belastungen entspricht. Die Erdungszuleitung (gelbgrün) darf nicht durch diesen Schalter unterbrochen sein.

Der Zuleitungskabel muß in jedem Fall so angebracht sein, dass er in keinem Punkt einer um 50°C höherer Temperatur als Umgebungstemperatur nicht erreicht. Eher das Gerät ans Netz angeschlossen wird, versichern Sie sich, dass:

- die Zuleitungssicherung und die Innenscheidung die Einrichtungsbelastung ertragen (siehe Matriceschild),
- die Verteilung mit wirksamer Erdung laut Normen (EN) und Gesetzbedingungen ausgestattet ist

WIR VERZICHTEN AUF JEGLICHE VERANTWORTUNG IM FALLE, DASS DIESE NORMEN NICHT RESPEKTIERT WERDEN UND IM FALLE DER NICHEINHALTUNG DER OBENERWÄHNTER GRUNDSÄTZE.

Es ist notwendig die Schutzfolie vor der ersten Benützung zu beseitigen, sowie das Gerät zu reinigen siehe das Kapitel „Reinigung und Instandhaltung“.

GEBRAUCHSANWEISUNG

Vorsicht!

Vor dem Gebrauch des Gerätes ist von der gesamten Oberfläche die Schutzfolie abzunehmen, weiter ist die gesamte Oberfläche mit einem Geschirreinigungsmitel zu waschen und mit weichem Putztuch abzuwischen. Vor dem Backen lassen Sie den Ofen auf 300 °C ca. 4 Stunden lang laufen, um die Reste der Konservierungsmittel auszubrennen.

Vor dem ersten Gebrauch ist die Temperatur auf 300 °C einzustellen und der Ofen muss ca. 4 Stunden lang laufen. Nach diesem Ausbrennen kann der Ofen in den laufenden Betrieb genommen werden.

Tür mittels Handgriffe (Pos. H, Abb. 1) öffnen und schließen. Beim Betrieb ist jede Berührung der metallischen Teile zu vermeiden: Verbrennungsgefahr. Sämtliche Betätigungselemente und Handgriffe sind vor der strahlenden Wärme geschützt. Bei dem Umgang mit den Lebensmitteln in der Backkammer sind Schutzhandschuhe zu verwenden. Es ist verboten, den Ofen sogar teilweise abzudecken oder Gegenstände darauf zu legen.

Betätigung (Abb. 1)

Die Anlage wird in Betrieb genommen, indem der Hauptschalter (A) in die Lage „I“ entsprechend der am Schalter geklebten Etikette gebracht wird. Dann befindet sich das Gerät unter Spannung. Mit Regelknöpfen von Thermostaten können obere (B) und (C) untere Heizkörper reguliert werden: diese werden nach der Einstellung der erwünschten Temperatur in Betrieb genommen. Die Heizkörper werden durch das Aufleuchten der Kontrollleuchten (D) für oberen und unteren Kammerteil signalisiert. Nach der Abschaltung des Erhitzens der Heizkörper ist der Thermostat für die gewählte Etage auf die Temperatur von 0°C einzustellen. Die innere Kammerbeleuchtung wird mittels eines durchgeleuchteten Schalters (E) eingeschaltet, Einschaltung in der Position „I“, Ausschaltung in der Position „0“. Die Beleuchtung funktioniert nur dann, wenn das Gerät mittels Hauptschalter (A) in Betrieb genommen wurde.

Ausschalten des Ofens

Nach dem Ausschalten des Ofens überzeugen Sie sich, dass die innere Beleuchtung sowie die Heizkörper ausgeschaltet sind, dann bringen Sie den Hauptschalter in die Pos. „0“.

BETÄTIGUNGSTAFEL (ABB. 1)



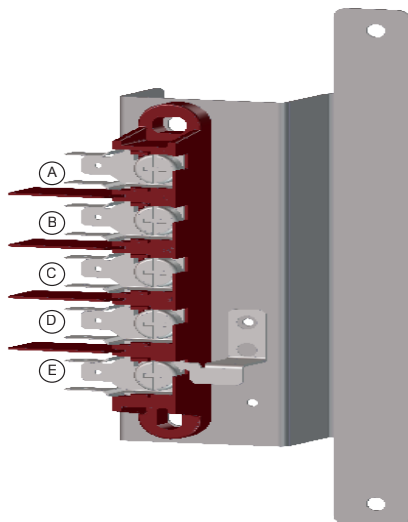
- (A) MHAUPTSCHALTER
- (B) THERMOSTAT DER OBEREN HEIZKÖRPER
- (C) THERMOSTAT DER UNTEREN HEIZKÖRPER
- (D) KONTROLLLEUCHTEN DER ERWÄRMUNG
- (E) SCHALTER DER INNEREN BELEUCHTUNG
- (F) THERMOMETER
- (G) ZUGSTANGE DER KLAPPENBETÄTIGUNG

BETRIEBSEMPFEHLUNG

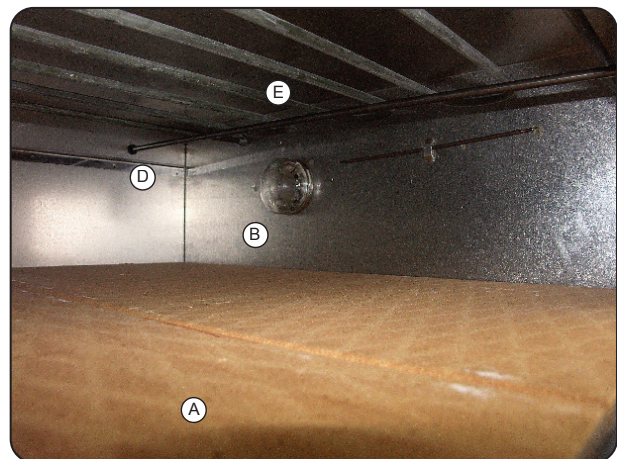
- Im Verlauf des Backens ist der Zustand der Pizzen zu kontrollieren; ggf. sind sie teilweise umzudrehen, damit sie regelmäßig durchgebraten werden.
- Anfangs ist die Kammer mit den auf Maximum eingestellten Thermostaten einzuschalten. Nach dem Erhitzen sind die Thermostaten auf die Betriebstemperatur einzustellen.
- Die am oberen und unteren Thermostat eingestellten Temperaturen sind meistens nicht identisch (die Temperatur am unteren Thermostat ist niedriger)
- Ist der Ofen eingeschaltet und leer, wächst die Temperatur der Schamotteplatten von den oberen Heizkörpern
- Bei Zweietagenöfen wird die Wärme zwischen der oberen und unteren Kammer übertragen und im Gegenteil.
- Die Schamotteplatte ist regelmäßig mit geeigneten Werkzeugen zu reinigen.
- Zu jedem Ofen kann ein Grundwerkzeugsatz zusätzlich zugekauft werden.
- Die Beleuchtung soll nur beim Backen eingeschaltet werden, es wird dadurch die Lebensdauer der Glühlampen verlängert
- Bei übermäßiger Dampfentwicklung im Arbeitsraum kann die Dampfklappe mittels Betätigungszugstange (Pos. G, Abb. 1) geöffnet werden.

ANSCHLIESSEN DES ZULEITUNGSKABELS, ZEICHEN DER ÄQUIPOTENTIALITÄT (ABB. 2)

- Das Klemmenbrett befindet sich auf der hinteren Geräteseite



OFENKAMMER (ABB. 3)



- (A) SCHAMOTTEPLATTEN
- (B) INNERE KAMMERBELEUCHTUNG
- (D) UNTERSTÜTZUNG DER OBEREN HEIZKÖRPER
- (E) HEIZKÖRPER

DIE REINIGUNG UND INSTANDSHALTUNG

ACHTUNG! Die Einrichtung darf nicht mit Direkt-, oder Druckwasserstrahl gereinigt werden. Reinigen Sie das Gerät täglich. Die Lebensdauer und Gerätewirkung wird durch die tägliche Wartung gewährleistet. Überzeugen Sie sich, vorm Reinigungsanfang, dass Sie die Einrichtung vom Elektrostrom abgeschaltet haben. Schalten Sie immer die Gerätehauptzufuhr ab. Waschen Sie die Edelstahlteile mit feuchtem Waschlappen, der im Waschpulver getaucht ist und keine grobe Teilchen aufweist. Wischen Sie alles ins Trockene ab. Verwenden Sie keine abrasive- oder korrosionsreiche Reinigungsmitteln.

WIE MAN IM FALLE EINER STÖRUNG VORANGEHEN SOLL

Schalten sie die elektrische Stromleitung ab und rufen die Serviceorganisation des Verkäufers an.

HINWEIS

Die Garantie bezieht sich nicht auf alle Verbrauchsteile, die der geläufiger Abnutzung unterstehen (gesamte Gummidichtungen, Glühlampen, alle glasemde und plastische Teile, usw.). Die Garantie bezieht sich nicht weiterhin auf Einrichtungen, die durch befugte Person laut Anweisung und entsprechender Normen nicht installiert worden sind und wenn mit dem Gerät unfachmännisch manipuliert wurde (Eingriffe ins Innere) und auf Beschädigungen durch Natureinflüsse oder Ausseneingriffe.

DÉCLARATION DE CONFORMITÉ

Le fabricant certifie la conformité des appareils aux normes 2004/108/ES, 2006/95/ES, 2006/95/ES à la loi n° 616/2006 sb., 17/2003 sb. et aux décrets applicables. L'installation doit être effectuée dans le respect des normes en vigueur. Attention: le fabricant décline toute responsabilité en cas de dommages, directs ou indirects, causés par une mauvaise installation, par une utilisation, des interventions ou des modifications impropres, par un entretien insuffisant, ainsi qu'en cas de dommages dérivant des causes mentionnées dans les conditions de vente. L'appareil objet de la présente notice est prévu pour un usage professionnel, aussi son utilisation doit-elle être confiée à un personnel possédant les compétences nécessaires à cet effet. L'utilisateur ne doit procéder à aucune intervention ni à aucune modification sur les parties réglées et protégées par le fabricant ou autre personnel autorisé à cet effet.

CARACTÉRISTIQUES TECHNIQUES

L'étiquette sur laquelle figurent les caractéristiques techniques est apposée sur la partie postérieure de l'appareil. Avant de procéder à l'installation, prendre connaissance du schéma électrique et de toutes les informations que contient la présente notice.

TYPE DE PRODUIT	TENSION (V/Hz)	NOMBRE DE THERMOSTATS (UNITÉS)	PUISSANCE MAX. (KW)	DIMENSION (CM)	DIMENSION DE LA CHAMBRE (CM)
P - 4	400 V, 3N, 50 Hz	2	4,8	98 x 92 x 42 v	70 x 70 x 15 v
P - 6	400 V, 3N, 50 Hz	2	7,2	98 x 127 x 42 v	72 x 107 x 15 v
P - 6 L	400 V, 3N, 50 Hz	2	8	131 x 92 x 42 v	107 x 72 x 15 v
P - 9	400 V, 3N, 50 Hz	2	12	131 x 127 x 42 v	107 x 107 x 15 v
P - 8	400 V, 3N, 50 Hz	4	9,6	98 x 92 x 76 v	2x 70 x 70 x 15 v
P - 12	400 V, 3N, 50 Hz	4	14,4	98 x 127 x 75 v	2x 72 x 107 x 15 v
P - 12 L	400 V, 3N, 50 Hz	4	16	131 x 92 x 75 v	2x 107 x 72 x 15 v
P - 18	400 V, 3N, 50 Hz	4	24	131 x 127 x 75 v	2x 107 x 107 x 15 v

CONTROLE DE L'EMBALLAGE ET DE L'APPAREIL

En vue de son transport, l'appareil quitte les établissements du fabricant parfaitement emballé (sur l'emballage sont apposés les étiquettes et les symboles nécessaires à cet effet). L'emballage contient également la notice des instructions d'utilisation. Dans le cas où l'emballage présenterait des dommages ainsi que dans le cas où il s'avérerait qu'il a été manipulé sans les précautions nécessaires, il est impératif d'adresser sans attendre une déclaration au transporteur en y joignant une acceptation de la marchandise sous réserve.

Recommandation importante:

- Pour usage professionnel seulement
- La présente notice des instructions d'utilisation et d'entretien contient d'importantes informations relatives à la sécurité, à l'installation et à l'utilisation; il est nécessaire d'en effectuer attentivement la lecture.
- Les recommandations se réfèrent à l'appareil objet de la présente notice.
- L'appareil est conforme aux normes en vigueur.
- Veiller à bien conserver la notice de telle sorte qu'elle puisse être consultée à tout moment en cas de besoin.
- Ne pas laisser des enfants s'approcher de l'appareil durant son utilisation.
- Pendant la vente ou après le déménagement de l'appareil vérifier que le personnel lise attentivement la présente notice d'utilisation
- L'appareil ne peut être utilisé que par le personnel instruit
- L'appareil ne peut être laissé en marche sans surveillance
- Il est recommandé de faire l'appareil contrôler au moins une fois par an dans un service spécialisé
- Ne pas utiliser que des pièces détachées originales.
- En cas de défaut ou de mauvaise fonction, débrancher l'appareil (eau, gaz, électricité) et appeler un service spécialisé
- Le fabricant décline toute responsabilité en cas de dommages, directs ou indirects, causés par une mauvaise installation, utilisation, etc

LA LOCATION

Le local dans lequel l'appareil est installé doit être bien ventilé. Si l'appareil doit toucher le parois, celui-ci doit résister à la chaleur de 90°C au minimum. L'installation, le réglage et la mise en marche doivent être effectués par une personne qualifiée ayant une autorisation nécessaire selon les normes en vigueur.

Déballez l'appareil et vérifiez s'il n'était pas endommagé pendant le transport. Placez l'appareil sur une surface horizontale (pente maximale de 2°). Placez l'appareil sous une hotte pour éliminer la vapeur et mauvaise odeur.

L'appareil peut être installé seul ou en série avec d'autres appareils de notre fabrication. Il faut respecter la distance minimale de 10 cm entre l'appareil et d'autres objets ainsi qu'éviter le contact avec les matériaux inflammables. Dans ce cas il faut prévoir les arrangements nécessaires pour assurer la protection des parties inflammables.

INSTRUCTIONS TECHNIQUES POUR INSTALLATION ET REGLEMENT

Important:

Le fabricant ne fournit pas de garantie pour les défauts causés par l'usage, tout manquement impropre aux instructions contenues dans les instructions ci-jointes pour l'utilisation et aux mauvais traitements des appareils.

Installation, réglage et réparation d'appareils pour les cuisines, ainsi que leur élimination en raison de dommages possibles au gaz peut être effectuée qu'en vertu d'un contrat de maintenance, ce contrat peut être signé avec un distributeur agréé, et doivent être conformes à la réglementation technique et normes et réglementations concernant l'installation, l'alimentation, de raccordement de gaz et de la santé et la sécurité du système.

Ces instructions sont destinées au technicien qualifié qui doit effectuer l'installation, le mettre en marche et tester l'appareil.

Toute activité en tant que paramètres, le placement, le rééquilibrage etc, doit être faite que lorsqu'il est périphérique déconnecté de l'électricité. Si il est nécessaire d'avoir le périphérique connecté à l'électricité, vous devez garder la plus grande attention afin d'éviter toute blessure.

MÉSURES DE SÉCURITÉ POUR LA PROTECTION CONTRE INCENDIE SELON EN 06 1008 ARTICLE 21:

- l'appareil ne peut être utilisé que par des personnes majeures
- l'appareil peut être utilisé dans un espace ordinaire selon EN 332000-4-482; 332000-4-42
- l'appareil doit être placé ou suspendu d'une manière stable sur une surface ininflammable

Il est interdit de placer sur l'appareil ou dans la distance inférieure à 10 cm de l'appareil des objets inflammables.

- les distances de sécurité pour les matériaux inflammables selon leurs degré d'inflammabilité et les informations sur l'inflammabilité des matériaux de construction – voir le tableau

Tableau:

degré d'inflammabilité d'un matériel de construction (EN 730823)

A ininflammables	granit, grès, béton, briques, carrelage céramique, enduit
B difficilement inflammables	acumin, héraclite, lihnos, itaver
C1 mal inflammables	bois des arbres feuillus, contre-plaqué, papier durci, umakart
C2 inflammabilité moyenne	aggloméré, solodur, liège, caoutchouc, revêtements
C3 inflammabilité facile	planches de fibre de bois, polystyrène, polyurethane, PVC

L'appareil doit être installé d'une manière sûre. Pour l'ajustage de l'appareil est ce-ci procuré des pieds réglables.

- EN 06 1008 protection contre incendie des consommateurs d'énergie locaux et des émetteurs de chaleur
- EN 33 2000 (33 2000-4-482; 33 2000-4-42) le milieu pour les appareil électriques

BRANCHEMENT ÉLECTRIQUE

Installation de prise de courant – La prise de courant doit avoir un coupe-circuit indépendant en dépendance de puissance fournie de l'appareil. Vérifiez la puissance de l'appareil sur la plaque des caractéristiques techniques.

Branchez l'appareil directement au réseau, il faut mettre un interrupteur entre le réseau et l'appareil, son ouverture de contacts étant 3 mm au minimum. Câble de terre (vert-jaune) ne peut pas être interrompu par cet interrupteur. En tout cas, le câble de prise de courant doit être placé de telle manière que sa température ne surpasse jamais la température du milieu de plus que 50°C. Avant le branchement au réseau, s'assurer que :

- le coupe-circuit et distribution intérieure peuvent endurer la charge de l'appareil (voir la plaque)
- la mise à la terre fonctionne selon les normes en vigueur (EN) et selon la loi
- la prise ou l'interrupteur de circuit sont faciles d'accès

Le fabricant rénonce à toute responsabilité en cas que les normes ne seront pas respectés ainsi qu'en cas de dérogation des règles mentionnés ci-haut.

Avant la première utilisation, il faut retirer le film de protection et nettoyer l'appareil – voir chapitre « nettoyage et entretien ».

Entretien:

Il est recommandé de faire contrôler l'appareil dans un service spécialisé au moins une fois par an. Toutes les interventions peuvent être effectuées seulement par une personne qualifiée ayant une autorisation pour ces interventions.

MODE D'EMPLOI

Attention!

Avant d'utiliser l'appareil, retirez les films de protection de toute la surface, lavez minutieusement avec de l'eau mélangée à un détergent, puis essuyez à l'aide d'un torchon humide. Avant de commencer la cuisson, laissez fonctionner le four pendant environ 4 heures afin de brûler les résidus des produits de conservation.

Avant la première utilisation, il est indispensable de régler la température à 300 °C et de laisser le four fonctionner pendant 4 heures. Il est possible ensuite de l'utiliser normalement.

Ouvrez et fermez la porte à l'aide des poignées (note H, image 1). Pendant l'utilisation, ne touchez pas les pièces métalliques, vous risquez de vous brûler. Les éléments de commande et les poignées sont protégés contre la chaleur radiante. Protégez vos mains lors de la manipulation des aliments dans la chambre de cuisson. Ne recouvrez pas le four, même partiellement, et n'y posez aucun objet.

Commande (image 1)

Allumez l'appareil en mettant l'interrupteur principal (A) en position « I », selon l'étiquette de l'interrupteur. L'appareil est ainsi sous tension. A l'aide des boutons de réglage des thermostats, vous pouvez régler le corps de chauffe supérieur (B) et inférieur (C) qui se mettent en marche après le réglage de la température exigée. Les corps de chauffe sont indiqués par l'allumage des témoins lumineux (D) pour la partie supérieure et inférieure de la chambre. Le réchauffement des corps de chauffe est éteint en réglant le thermostat pour l'étage concerné à la température de 0° C. L'éclairage interne de la chambre est assuré par l'interrupteur éclairé (E) en position « I » et il s'éteint en position « 0 ». L'éclairage fonctionne seulement lorsque l'appareil est allumé à l'aide de l'interrupteur principal (A).

Extinction du four

Pour éteindre l'appareil, vérifiez que l'éclairage interne et les corps de chauffe sont éteints, puis mettez

l'interrupteur principal en position « 0 ».

Panneau de commande (image 1)



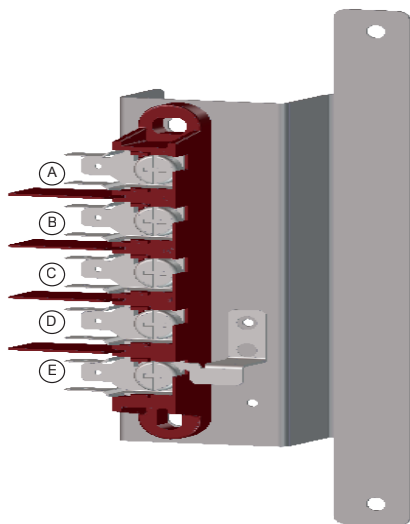
- (A) INTERRUPTEUR PRINCIPAL
- (B) THERMOSTAT DE RÉSISTANCES SUPÉRIEURES
- (C) THERMOSTAT DE RÉSISTANCES INFÉRIEURES
- (D) TÉMOINS LUMINEUX DU CHAUFFAGE
- (E) INTERRUPTEUR DE L'ÉCLAIRAGE INTERNE
- (F) THERMOMÈTRE
- (G) TRINGLE DE COMMANDE DU CLAPET

RECOMMANDATIONS

- Pendant la cuisson, contrôlez l'état des pizzas et éventuellement déplacez-les afin d'obtenir une cuisson générale.
- Au début, allumez la chambre avec les thermostats réglés au maximum. Après le réchauffement, réglez les thermostats à la température de régime.
- En général, la température réglée sur les thermostats supérieur et inférieur n'est pas identique (température inférieure sur le thermostat inférieur)
- Lorsque le four est éteint et vide, la température des plaques réfractaires augmente à partir des corps supérieurs.
- Pour les fours à deux étages, la chaleur circule entre la chambre haute et basse et vice versa.
- Nettoyez régulièrement les plaques réfractaires à l'aide de l'outillage correspondant.
- Un kit d'outillage de base peut être acheté pour chaque four.
- Allumez la lumière seulement pendant la cuisson afin d'augmenter la longévité des ampoules.
- La formation démesurée de vapeur dans l'espace de cuisson peut être évacuée à l'aide de la tringle de commande du clapet à vapeur (note G, image 1)

Branchement du câble d'amenée, marque équipotentielle (image 2)

- La réglette de raccordement est située dans la partie arrière de l'appareil



LA CHAMBRE À FOUR (IMAGE 3)



- (A) PLAQUES RÉFRACTAIRES
- (B) ÉCLAIRAGE INTERNE DE LA CHAMBRE
- (D) SUPPORT DES CORPS SUPÉRIEURS
- (E) CORPS DE CHAUFFE

NETTOYAGE ET ENTRETIEN

Il est recommandé de faire contrôler l'appareil dans un service spécialisé au moins une fois par an. Toutes les interventions peuvent être effectuées seulement par une personne qualifiée ayant une autorisation pour ces interventions.

ATTENTION ! L'appareil ne peut pas être nettoyé sous l'eau courante ou de pression. Nettoyer l'appareil chaque jour. Nettoyage quotidien prolonge la vie et le fonctionnement de l'appareil. Avant le nettoyage vérifier, si l'appareil est débranché. Toujours débrancher l'alimentation principale. Les pièces en inox nettoyer à l'aide d'un torchon humide et un détergent sans particules abrasives, rincer, sécher. Ne jamais utiliser les produits abrasifs ou corrosifs.

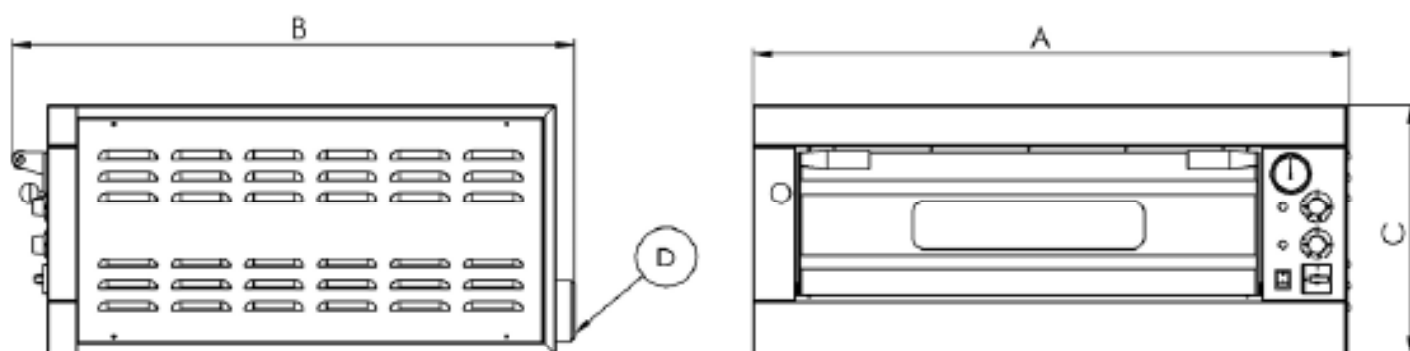
Comment procéder en cas de panne de l'appareil

Débrancher l'appareil et appeler le service spécialisé.

AVERTISSEMENT:

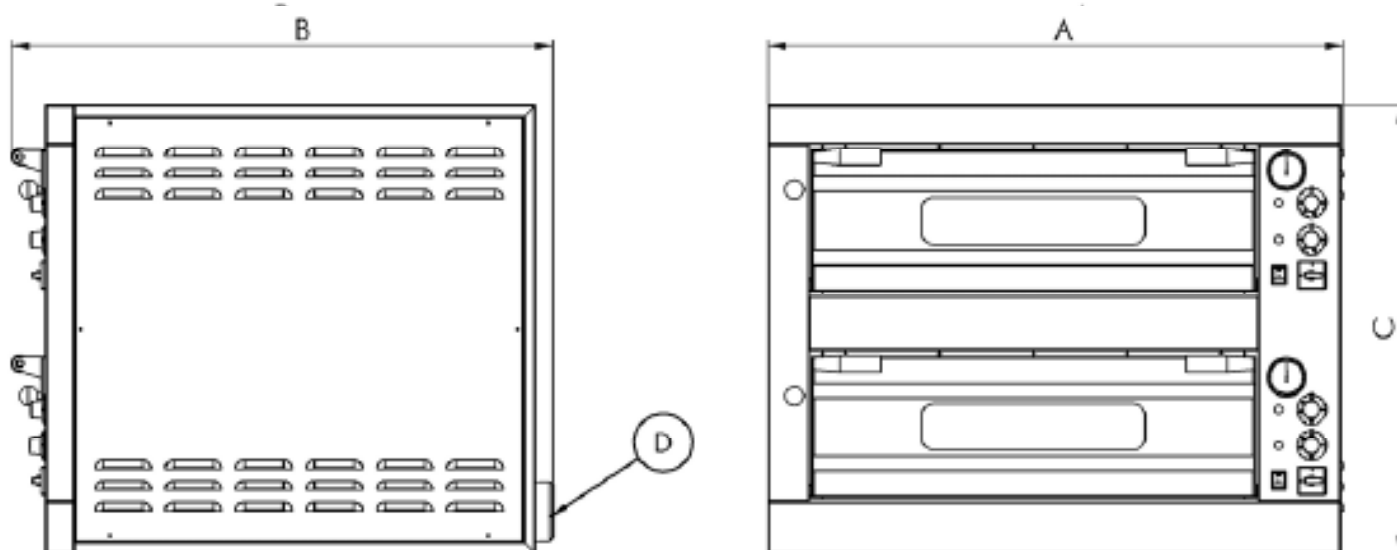
La garantie ne concerne pas les bourrelets en caoutchouc, bulbes, parties en verre et en plastique. Elle ne concerne également pas tout l'appareil si l'installation n'a pas été effectuée par une personne qualifiée, selon le mode d'installation ou selon les normes en vigueur ou si l'appareil n'a pas été utilisé selon le mode d'emploi, s'il y avait des interventions nonprofessionnelles (interventions à l'intérieur de l'appareil). La garantie ne concerne pas les endommagements causés par la pluie, vent, etc.

DIMENSION PLANS / MASSKIZZEN / DIMENSIONS
P - 4, 6, 6L, 9, 9L



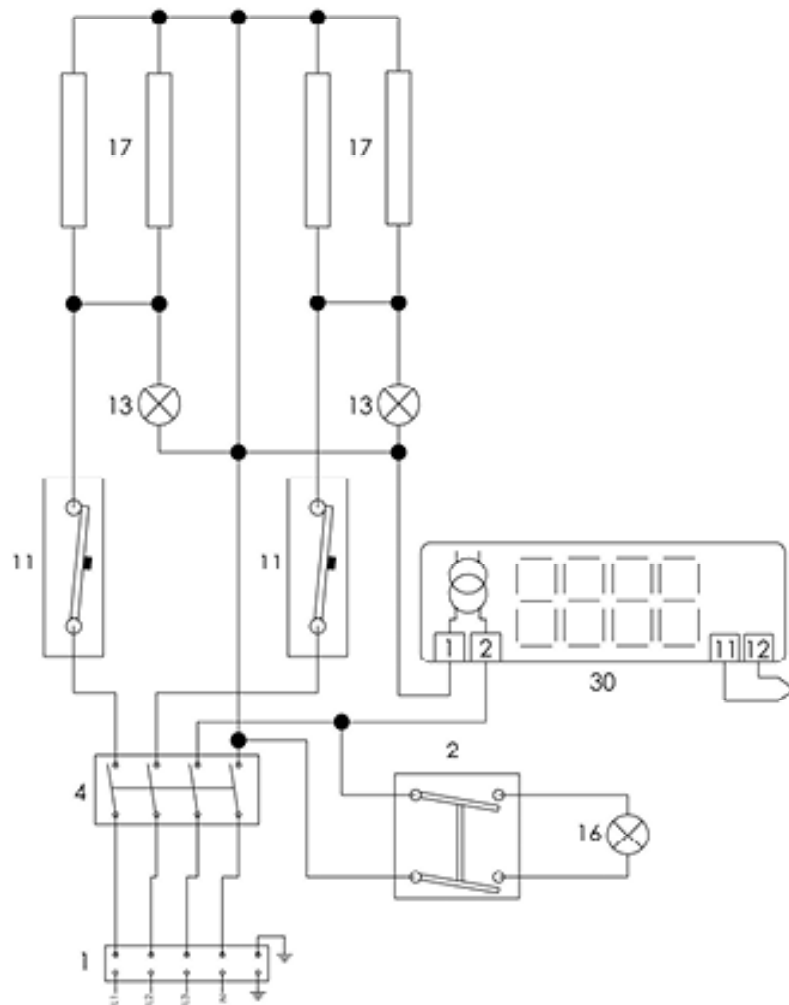
TYPE	A (CM)	B (CM)	C (CM)
P - 4	98	92	42
P - 6	98	127	42
P - 6 L	131	92	42
P - 9	131	127	42


DIMENSION PLANS / MASSKIZZEN / DIMENSIONS
P - 8, 12, 12L, 18



TYPE	A (CM)	B (CM)	C (CM)
P - 8	98	92	78
P - 12	98	127	75
P - 12 L	131	92	75
P - 18	131	127	75

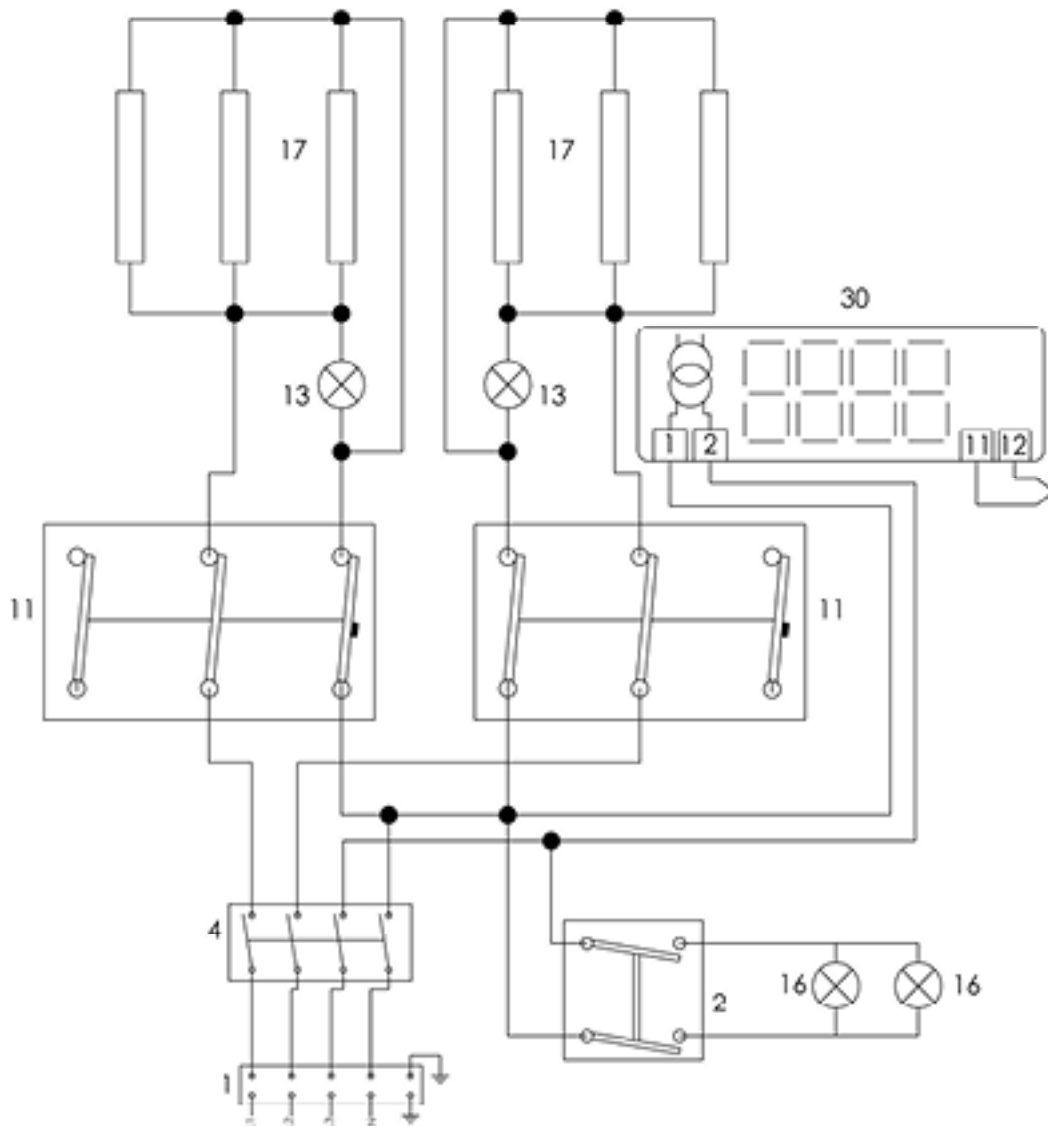
EL. CONNECTION DIAGRAM / SCHALTPLAN / SCHÉMA DU ELECTRIQUE
P - 4



	 ENGLISH	 DEUTSCH	 FRANÇAIS
1	TERMINAL	TERMINAL	TERMINAL
2	SWITCH O / I	SWITCH O / I	INTERRUPTEUR O / I
3	ILLUMINATED SWITCH O / I	BELEUCHTETE SWITCH O / I	INTERRUPTEUR ILLUMINÉ O / I
4	ROTARY SWITCH	SWITCH ROTARY	SWITCH ROTARY
5	PUSH BUTTON SWITCHES	DRUCKSCHALTER	BOUTON POUSSOIR
6	LIMIT SWITCH	ENDSCHALTER	LIMIT SWITCH
7	MICROSWITCH	MIKROSCHALTER	MICRO
8	RELAY	RELAY	RELAIS
9	RELAY CONTACTS	RELAISKONTAKTE	CONTACTS DE RELAIS
10	TIMER	TIMER	TIMER
11	OPERATING THERMOSTAT	THERMOSTAT WORK	TRAVAIL DU THERMOSTAT
12	SAFETY THERMOSTAT	SICHERHEIT THERMOSTAT	THERMOSTAT DE SÉCURITÉ
13	WHITE LIGHT	WEISSLICHT	L'ORANGE
14	GREEN LIGHT	GRÜNES LICHT	LE VERT
15	DIODE	DIODE	DIODE
16	INTERIOR LIGHT	INNENLEUCHTEN	ECLAIRAGE INTERIEUR
17	HEATING ELEMENT	HEIZELEMENT	ELEMENT DE CHAUFFAGE

EL. CONNECTION DIAGRAM / SCHALTPLAN / SCHÉMA DU ELECTRIQUE

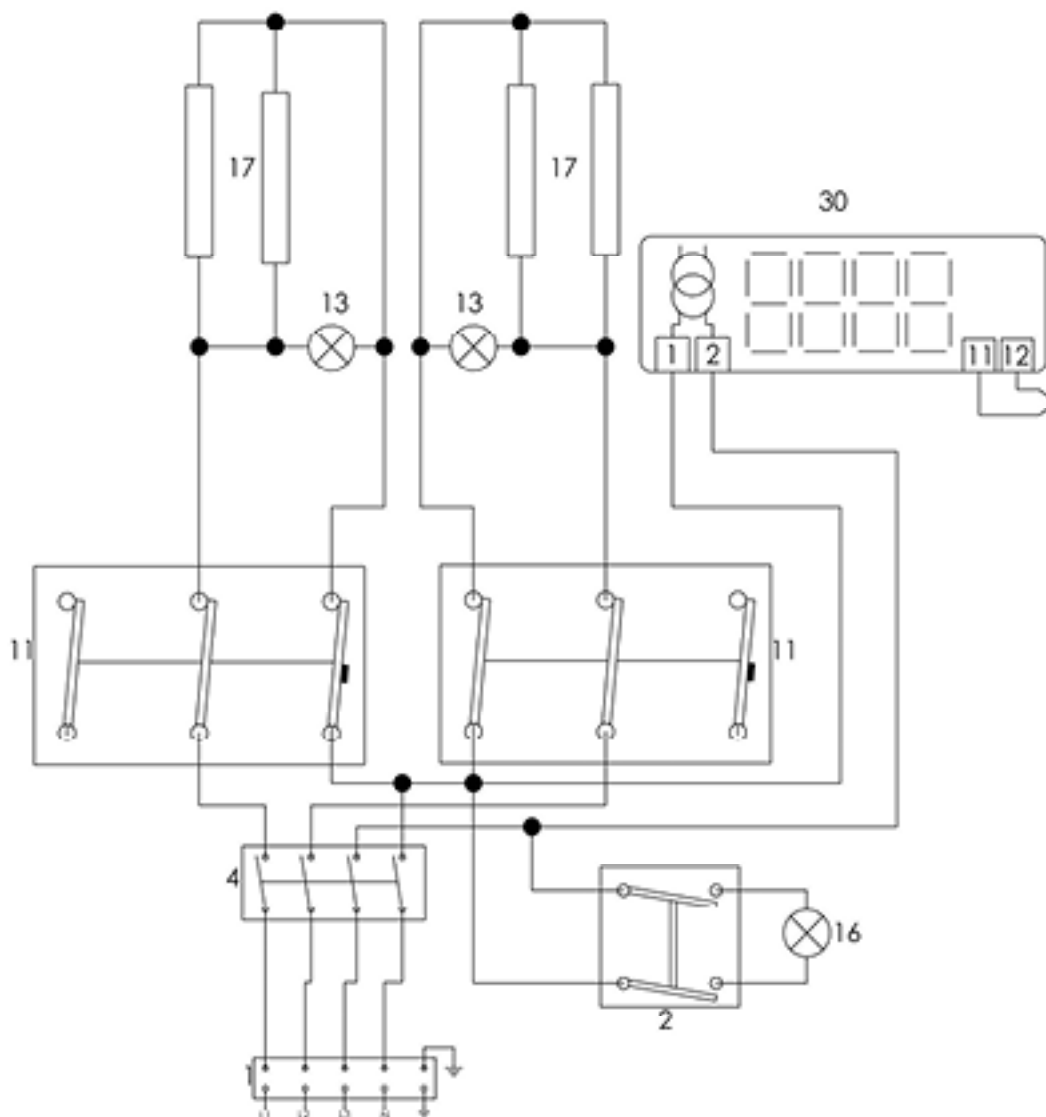
P - 6




	 ENGLISH	 DEUTSCH	 FRANÇAIS
1	TERMINAL	TERMINAL	TERMINAL
2	SWITCH O / I	SWITCH O / I	INTERRUPTEUR O / I
3	ILLUMINATED SWITCH O / I	BELEUCHTETE SWITCH O / I	INTERRUPTEUR ILLUMINÉ O / I
4	ROTARY SWITCH	SWITCH ROTARY	SWITCH ROTARY
5	PUSH BUTTON SWITCHES	DRUCKSCHALTER	BOUTON POUSSOIR
6	LIMIT SWITCH	ENDSCHALTER	LIMIT SWITCH
7	MICROSWITCH	MIKROSCHALTER	MICRO
8	RELAY	RELAY	RELAIS
9	RELAY CONTACTS	RELAISKONTAKTE	CONTACTS DE RELAIS
10	TIMER	TIMER	TIMER
11	OPERATING THERMOSTAT	THERMOSTAT WORK	TRAVAIL DU THERMOSTAT
12	SAFETY THERMOSTAT	SICHERHEIT THERMOSTAT	THERMOSTAT DE SÉCURITÉ
13	WHITE LIGHT	WEISSLICHT	L'ORANGE
14	GREEN LIGHT	GRÜNES LICHT	LE VERT
15	DIODE	DIODE	DIODE
16	INTERIOR LIGHT	INNENLEUCHTEN	ECLAIRAGE INTERIEUR
17	HEATING ELEMENT	HEIZELEMENT	ELEMENT DE CHAUFFAGE

EL. CONNECTION DIAGRAM / SCHALTPLAN / SCHÉMA DU ELECTRIQUE

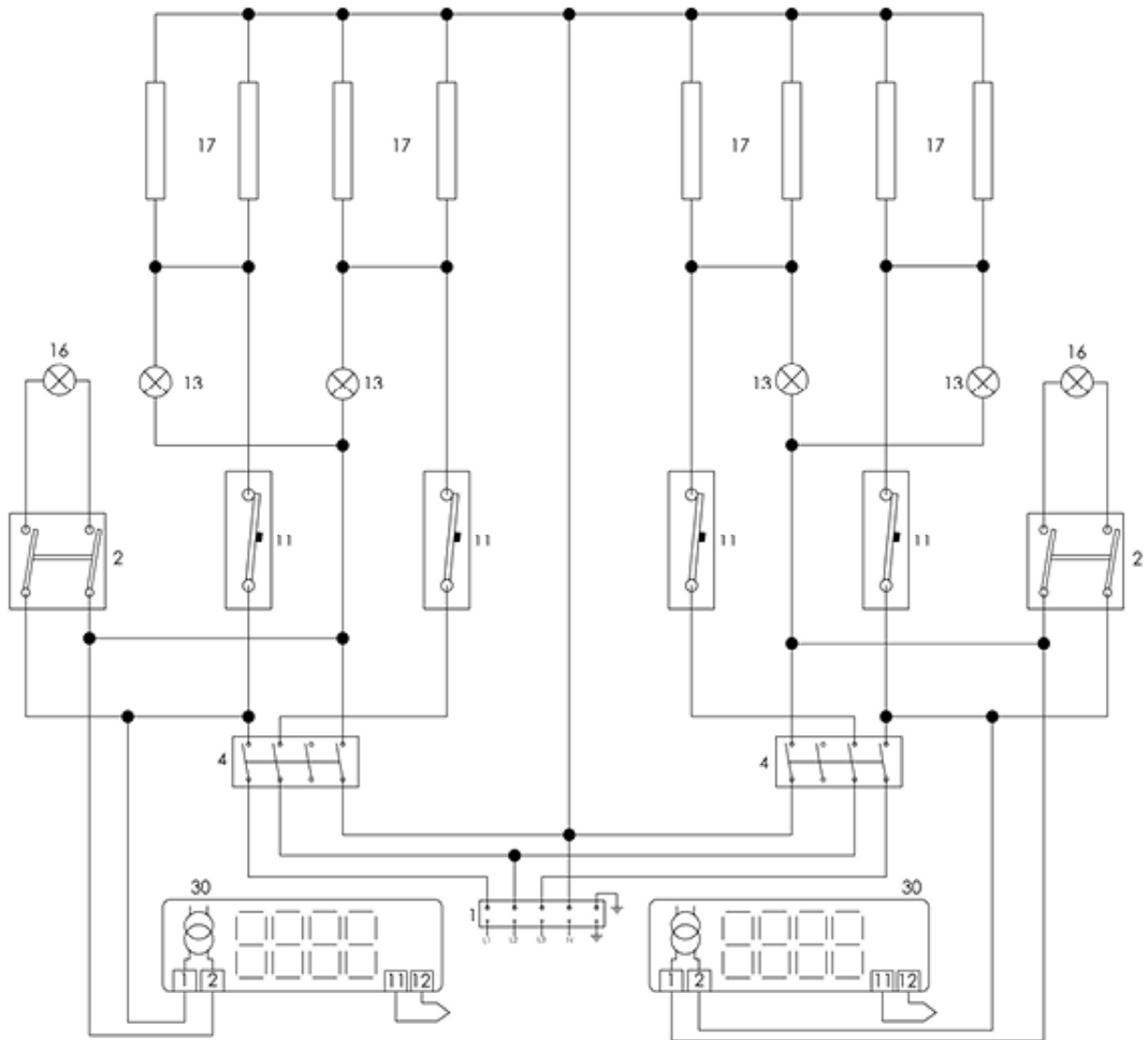
P - 6L









	 ENGLISH	  DEUTSCH	 FRANÇAIS
1	TERMINAL	TERMINAL	TERMINAL
2	SWITCH O / I	SWITCH O / I	INTERRUPTEUR O / I
3	ILLUMINATED SWITCH O / I	BELEUCHTETE SWITCH O / I	INTERRUPTEUR ILLUMINÉ O / I
4	ROTARY SWITCH	SWITCH ROTARY	SWITCH ROTARY
5	PUSH BUTTON SWITCHES	DRUCKSCHALTER	BOUTON POUSSOIR
6	LIMIT SWITCH	ENDSCHALTER	LIMIT SWITCH
7	MICROSWITCH	MIKROSCHALTER	MICRO
8	RELAY	RELAY	RELAIS
9	RELAY CONTACTS	RELAISKONTAKTE	CONTACTS DE RELAIS
10	TIMER	TIMER	TIMER
11	OPERATING THERMOSTAT	THERMOSTAT WORK	TRAVAIL DU THERMOSTAT
12	SAFETY THERMOSTAT	SICHERHEIT THERMOSTAT	THERMOSTAT DE SÉCURITÉ
13	WHITE LIGHT	WEISSLICHT	L'ORANGE
14	GREEN LIGHT	GRÜNES LICHT	LE VERT
15	DIODE	DIODE	DIODE
16	INTERIOR LIGHT	INNENLEUCHTEN	ECLAIRAGE INTERIEUR
17	HEATING ELEMENT	HEIZELEMENT	ELEMENT DE CHAUFFAGE

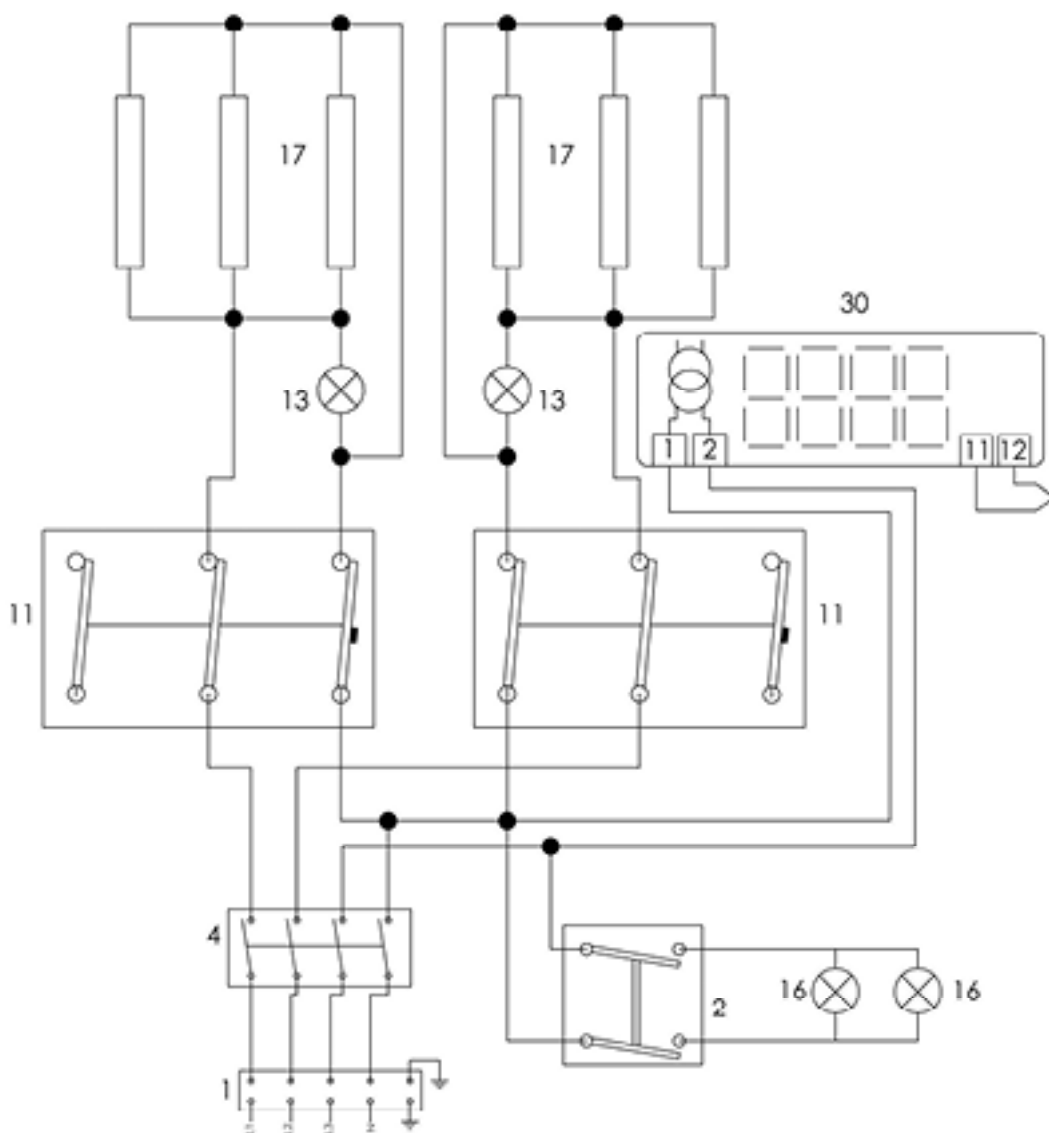
EL. CONNECTION DIAGRAM / SCHALTPLAN / SCHÉMA DU ELECTRIQUE

P - 8



	 ENGLISH 	 DEUTSCH 	 FRANÇAIS 
1	TERMINAL	TERMINAL	TERMINAL
2	SWITCH O / I	SWITCH O / I	INTERRUPTEUR O / I
3	ILLUMINATED SWITCH O / I	BELEUCHTETE SWITCH O / I	INTERRUPTEUR ILLUMINÉ O / I
4	ROTARY SWITCH	SWITCH ROTARY	SWITCH ROTARY
5	PUSH BUTTON SWITCHES	DRUCKSCHALTER	BOUTON POUSSOIR
6	LIMIT SWITCH	ENDSCHALTER	LIMIT SWITCH
7	MICROSWITCH	MIKROSCHALTER	MICRO
8	RELAY	RELAY	RELAIS
9	RELAY CONTACTS	RELAISKONTAKTE	CONTACTS DE RELAIS
10	TIMER	TIMER	TIMER
11	OPERATING THERMOSTAT	THERMOSTAT WORK	TRAVAIL DU THERMOSTAT
12	SAFETY THERMOSTAT	SICHERHEIT THERMOSTAT	THERMOSTAT DE SÉCURITÉ
13	WHITE LIGHT	WEISSLICHT	L'ORANGE
14	GREEN LIGHT	GRÜNES LICHT	LE VERT
15	DIODE	DIODE	DIODE
16	INTERIOR LIGHT	INNENLEUCHTEN	ECLAIRAGE INTERIEUR
17	HEATING ELEMENT	HEIZELEMENT	ELEMENT DE CHAUFFAGE

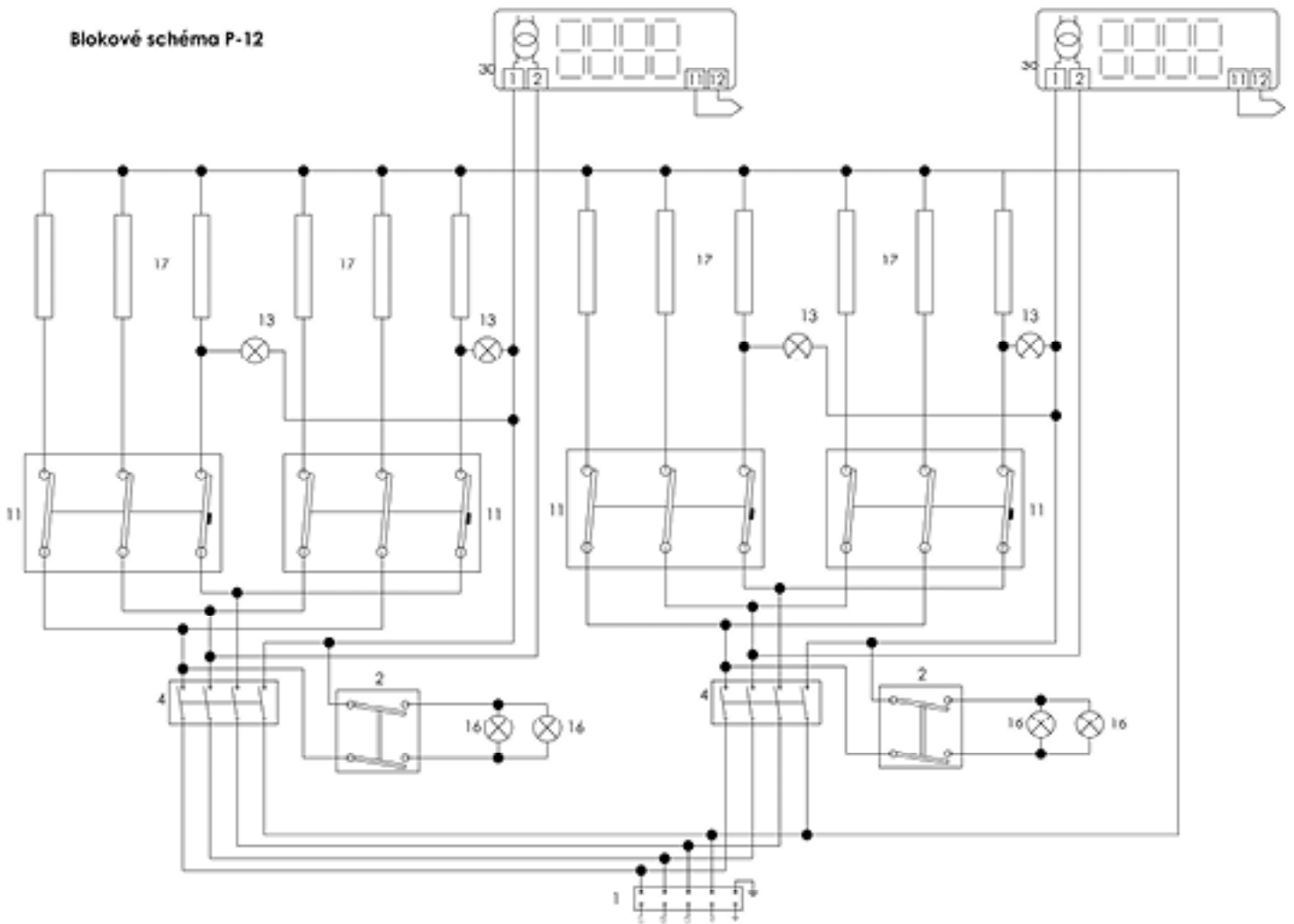
EL. CONNECTION DIAGRAM / SCHALTPLAN / SCHÉMA DU ELECTRIQUE
P - 9






	 ENGLISH	  DEUTSCH	 FRANÇAIS
1	TERMINAL	TERMINAL	TERMINAL
2	SWITCH O / I	SWITCH O / I	INTERRUPTEUR O / I
3	ILLUMINATED SWITCH O / I	BELEUCHTETE SWITCH O / I	INTERRUPTEUR ILLUMINÉ O / I
4	ROTARY SWITCH	SWITCH ROTARY	SWITCH ROTARY
5	PUSH BUTTON SWITCHES	DRUCKSCHALTER	BOUTON POUSSOIR
6	LIMIT SWITCH	ENDSCHALTER	LIMIT SWITCH
7	MICROSWITCH	MIKROSCHALTER	MICRO
8	RELAY	RELAY	RELAIS
9	RELAY CONTACTS	RELAISKONTAKTE	CONTACTS DE RELAIS
10	TIMER	TIMER	TIMER
11	OPERATING THERMOSTAT	THERMOSTAT WORK	TRAVAIL DU THERMOSTAT
12	SAFETY THERMOSTAT	SICHERHEIT THERMOSTAT	THERMOSTAT DE SÉCURITÉ
13	WHITE LIGHT	WEISSLICHT	L'ORANGE
14	GREEN LIGHT	GRÜNES LICHT	LE VERT
15	DIODE	DIODE	DIODE
16	INTERIOR LIGHT	INNENLEUCHTEN	ECLAIRAGE INTERIEUR
17	HEATING ELEMENT	HEIZELEMENT	ELEMENT DE CHAUFFAGE

EL. CONNECTION DIAGRAM / SCHALTPLAN / SCHÉMA DU ELECTRIQUE

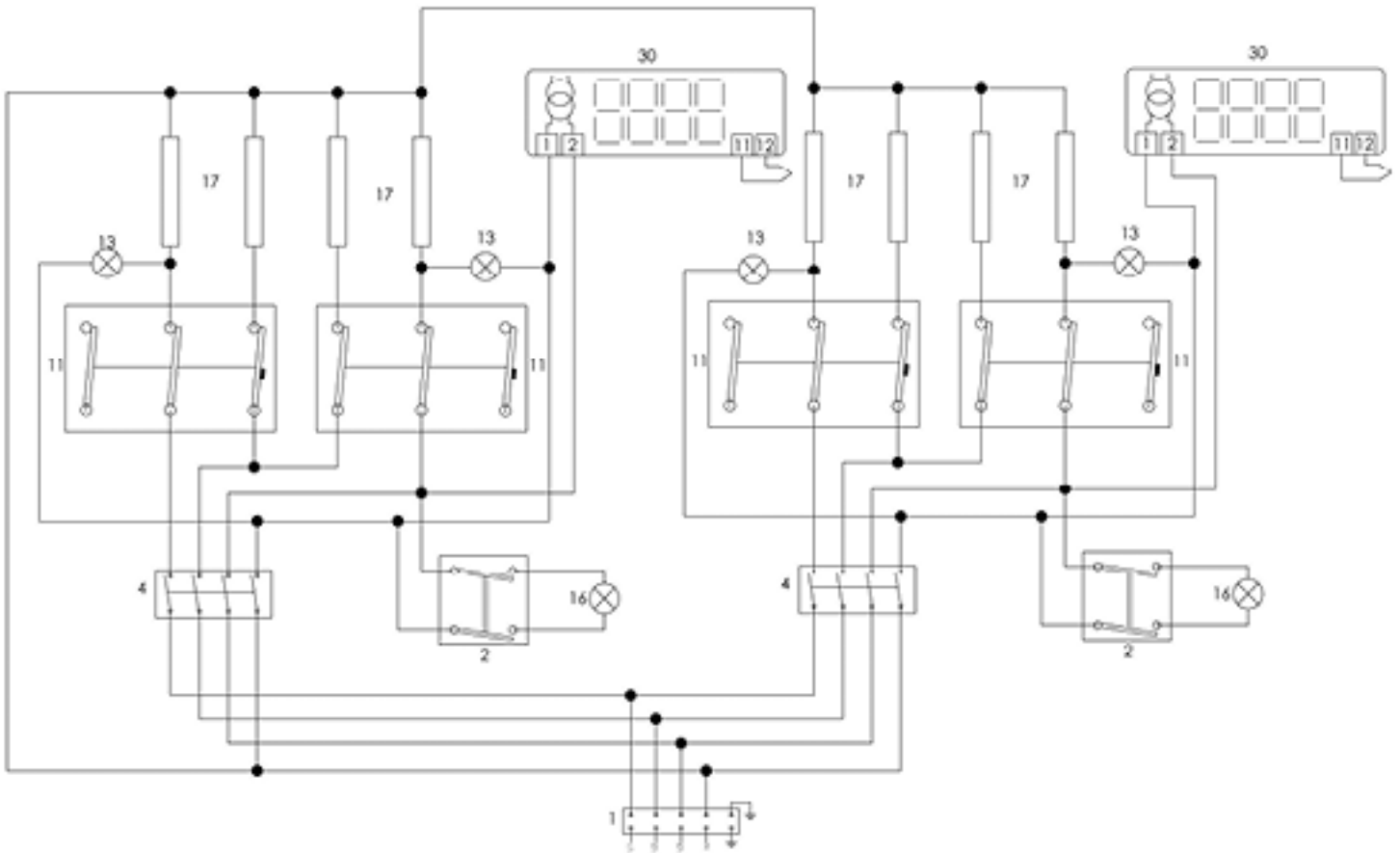
P - 12



	 ENGLISH	 DEUTSCH	 FRANÇAIS
1	TERMINAL	TERMINAL	TERMINAL
2	SWITCH O / I	SWITCH O / I	INTERRUPTEUR O / I
3	ILLUMINATED SWITCH O / I	BELEUCHTETE SWITCH O / I	INTERRUPTEUR ILLUMINÉ O / I
4	ROTARY SWITCH	SWITCH ROTARY	SWITCH ROTARY
5	PUSH BUTTON SWITCHES	DRUCKSCHALTER	BOUTON POUSSOIR
6	LIMIT SWITCH	ENDSCHALTER	LIMIT SWITCH
7	MICROSWITCH	MIKROSCHALTER	MICRO
8	RELAY	RELAY	RELAIS
9	RELAY CONTACTS	RELAISKONTAKTE	CONTACTS DE RELAIS
10	TIMER	TIMER	TIMER
11	OPERATING THERMOSTAT	THERMOSTAT WORK	TRAVAIL DU THERMOSTAT
12	SAFETY THERMOSTAT	SICHERHEIT THERMOSTAT	THERMOSTAT DE SÉCURITÉ
13	WHITE LIGHT	WEISSLICHT	L'ORANGE
14	GREEN LIGHT	GRÜNES LICHT	LE VERT
15	DIODE	DIODE	DIODE
16	INTERIOR LIGHT	INNENLEUCHTEN	ECLAIRAGE INTERIEUR
17	HEATING ELEMENT	HEIZELEMENT	ELEMENT DE CHAUFFAGE

EL. CONNECTION DIAGRAM / SCHALTPLAN / SCHÉMA DU ELECTRIQUE

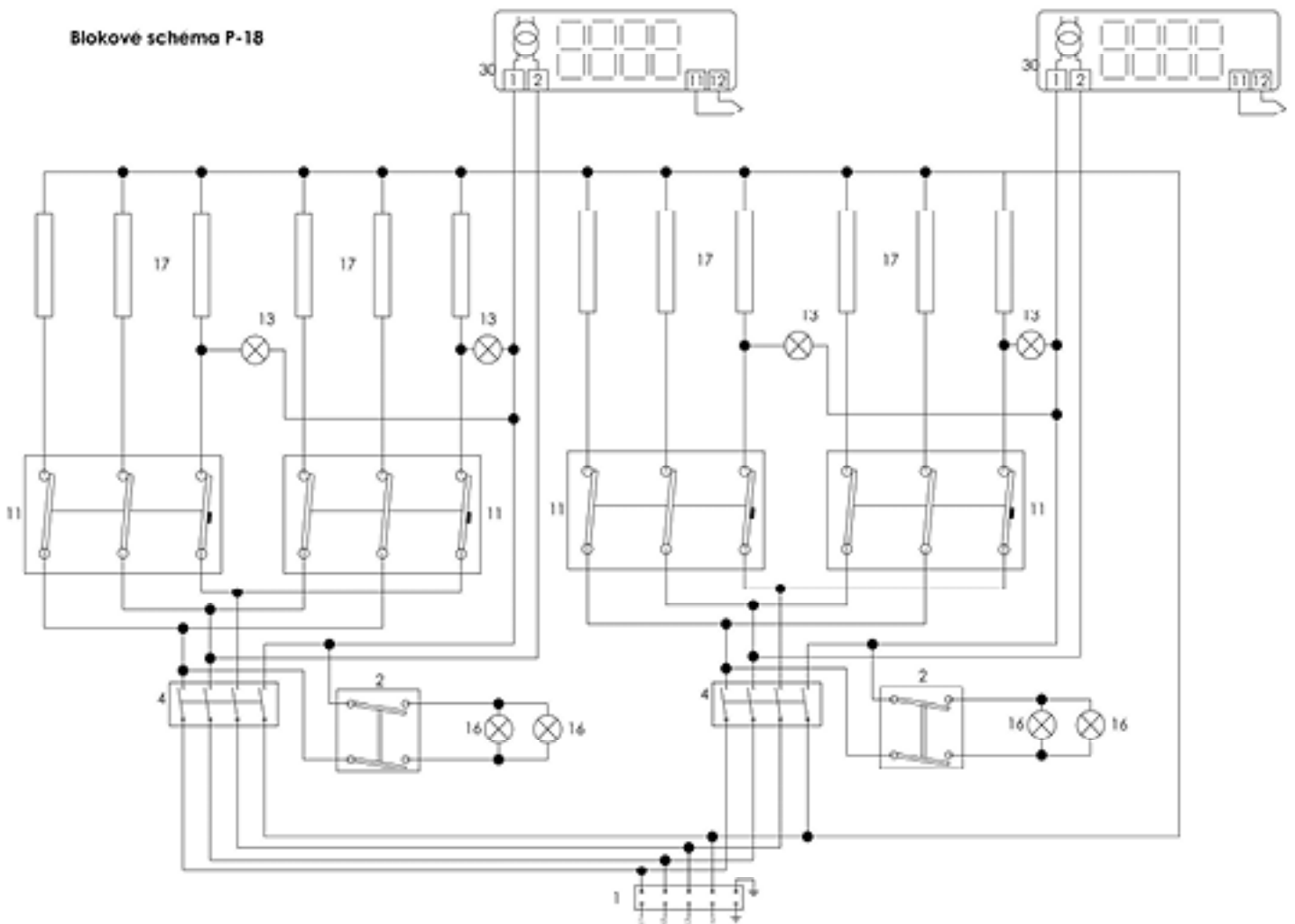
P- 12L






	ENGLISH	DEUTSCH	FRANÇAIS
1	TERMINAL	TERMINAL	TERMINAL
2	SWITCH O / I	SWITCH O / I	INTERRUPTEUR O / I
3	ILLUMINATED SWITCH O / I	BELEUCHTETE SWITCH O / I	INTERRUPTEUR ILLUMINÉ O / I
4	ROTARY SWITCH	SWITCH ROTARY	SWITCH ROTARY
5	PUSH BUTTON SWITCHES	DRUCKSCHALTER	BOUTON POUSSOIR
6	LIMIT SWITCH	ENDSCHALTER	LIMIT SWITCH
7	MICROSWITCH	MIKROSCHALTER	MICRO
8	RELAY	RELAY	RELAIS
9	RELAY CONTACTS	RELAISKONTAKTE	CONTACTS DE RELAIS
10	TIMER	TIMER	TIMER
11	OPERATING THERMOSTAT	THERMOSTAT WORK	TRAVAIL DU THERMOSTAT
12	SAFETY THERMOSTAT	SICHERHEIT THERMOSTAT	THERMOSTAT DE SÉCURITÉ
13	WHITE LIGHT	WEISSLICHT	L'ORANGE
14	GREEN LIGHT	GRÜNES LICHT	LE VERT
15	DIODE	DIODE	DIODE
16	INTERIOR LIGHT	INNENLEUCHTEN	ECLAIRAGE INTERIEUR
17	HEATING ELEMENT	HEIZELEMENT	ELEMENT DE CHAUFFAGE

EL. CONNECTION DIAGRAM / SCHALTPLAN / SCHÉMA DU ELECTRIQUE

P - 18



	 ENGLISH	 DEUTSCH	 FRANÇAIS
1	TERMINAL	TERMINAL	TERMINAL
2	SWITCH O / I	SWITCH O / I	INTERRUPTEUR O / I
3	ILLUMINATED SWITCH O / I	BELEUCHTETE SWITCH O / I	INTERRUPTEUR ILLUMINÉ O / I
4	ROTARY SWITCH	SWITCH ROTARY	SWITCH ROTARY
5	PUSH BUTTON SWITCHES	DRUCKSCHALTER	BOUTON POUSSOIR
6	LIMIT SWITCH	ENDSCHALTER	LIMIT SWITCH
7	MICROSWITCH	MIKROSCHALTER	MICRO
8	RELAY	RELAY	RELAIS
9	RELAY CONTACTS	RELAISKONTAKTE	CONTACTS DE RELAIS
10	TIMER	TIMER	TIMER
11	OPERATING THERMOSTAT	THERMOSTAT WORK	TRAVAIL DU THERMOSTAT
12	SAFETY THERMOSTAT	SICHERHEIT THERMOSTAT	THERMOSTAT DE SÉCURITÉ
13	WHITE LIGHT	WEISSLICHT	L'ORANGE
14	GREEN LIGHT	GRÜNES LICHT	LE VERT
15	DIODE	DIODE	DIODE
16	INTERIOR LIGHT	INNENLEUCHTEN	ECLAIRAGE INTERIEUR
17	HEATING ELEMENT	HEIZELEMENT	ELEMENT DE CHAUFFAGE

PROHLÁŠENÍ O SOULADU S NORMAMI

Výrobce prohlašuje, že přístroje splňují základní požadavky směrnice 2004/108/ES (nařízení vlády č. 616/2006 Sb.) a požadavky směrnice 2006/95/ES (nařízení vlády č. 17/2003 Sb.).

Pozor, výrobce se vzdává jakékoli odpovědnosti v případě přímých i nepřímých poškození, které se vztahují ke špatné instalaci, nesprávným zásahem nebo úpravami, nedostatečnou údržbou, nesprávným používáním, a které jsou eventuálně způsobeny jinými příčinami, jež uvádí body uvedené v podmínkách prodeje. Tento spotřebič je určen pouze pro odborné používání a musí být obsluhován kvalifikovanými osobami. Části, které byly po nastavení zajištěny výrobcem nebo pověřeným pracovníkem, nesmí uživatel přestavovat.

TECHNICKÁ DATA

Štítek s technickými údaji je umístěn na boku či zadním panelu přístroje. Před instalací si prostudujte elektrické schéma zapojení a všechny následující informace.

Typ výrobku	Napětí (V / Hz)	Počet termostatů (ks)	Příkon max. (kW)	Rozměr (cm)	Rozměr komory (cm)
P - 4	400 / 3N / 50	2	4,8	98 x 92 x 42 v	70 x 70 x 15 v
P - 6	400 / 3N / 50	2	7,2	98 x 127 x 42 v	70 x 105 x 15 v
P - 9	400 / 3N / 50	2	12	131 x 127 x 42 v	105 x 105 x 15 v
P - 8	400 / 3N / 50	4	9,6	98 x 92 x 76 v	2x 70 x 70 x 15 v
P-12	400 / 3N / 50	4	14,4	98 x 127 x 76 v	2x 70 x 105 x 15 v
PP - 18	400 / 3N / 50	4	24,0	131 x 127 x 76 v	2x 105 x 105 x 15 v

KONTROLA OBALU A ZAŘÍZENÍ

Zařízení opouští naše sklady v řádném obalu, na kterém jsou odpovídající symboly a označení. V obalu se nachází odpovídající návod k obsluze. Jestliže by obal měl vykazovat špatné zacházení, známky poškození, musí se okamžitě reklamovat u přepravce a to sepsáním a podepsáním protokolu o škodě. Na pozdější reklamace nebude brán zřetel.

Důležité upozornění

Tento návod musí být řádně a pozorně přečten, protože obsahuje důležité informace o bezpečnostních prvcích, instalaci a použití.

- Tato doporučení se vztahují na tento výrobek, nebo produktovou linii.
- Tento návod se musí řádně uschovat pro budoucí použití.
- Zabraňte dětem manipulovat s přístrojem.
- Při prodeji nebo přemístění je nutno se přesvědčit, že obsluha nebo odborný servis se seznámil s ovládáním a instalačními pokyny v příloženém návodu.
- Výrobek smí obsluhovat pouze obsluha, která se seznámila s tímto návodem k použití.
- Nesmí být spuštěn bez dozoru.
- Doporučuje se kontrola odborným servisem minimálně 2x ročně.
- Při eventuální opravě nebo výměně dílů musí být použity originální náhradní díly.
- Výrobek se nesmí čistit proudem vody nebo tlakovou sprchou.
- Při poruše nebo špatném chodu výrobku je nutné odpojit veškeré přívody (voda, elektřina, plyn) a zavolat autorizovaný servis.
- Výrobce se vzdává jakékoli zodpovědnosti při poruchách způsobenými chybnou instalací, nedodržením shora uvedených doporučení, jiným užíváním apod.
- Přístroj se smí používat pouze k účelu, ke kterému je určený, jiné použití je zakázané a může vést ke vzniku nebezpečí či úrazu
- Musí být zajištěno nej přísnější dodržování pravidel protipožární ochrany

UMÍSTĚNÍ

Ke správné činnosti a umístění spotřebiče je nutné dodržet následující směrnice dle norem TPG G 704 01, ČSN 127040 a ČSN 127010.

Rozbalte přístroj a zkontrolujte, zda se přístroj nepoškodil během přepravy. Umístěte přístroj na vodorovnou plochu (maximální nerovnost do 2°). Drobné nerovnosti lze vyrovnat regulovatelnými nožičkami.

Jestliže zařízení bude umístěno tak, že bude v kontaktu se stěnami nábytku, tyto musí odolávat teplotě až 60°C. Instalaci, seřízení, uvedení do provozu musí provést kvalifikovaná osoba, která má k takovýmto úkonům oprávnění a to dle platných norem.

Přístroj může být instalován samostatně nebo v sérii s přístroji naší výroby. Je nutno dodržovat minimální vzdálenost 10 cm od hořlavých materiálů. V tomto případě je nutné zabezpečit odpovídající úpravy, aby byla zabezpečena tepelná izolace hořlavých částí.

Spotřebič se musí instalovat pouze na nehořlavém povrchu nebo u nehořlavé stěny.

BEZPEČNOSTNÍ OPATŘENÍ Z HLEDISKA POŽÁRNÍ OCHRANY PODLE ČSN 061008 ČL. 21

- obsluhu spotřebiče smí provádět pouze dospělé osoby
- spotřebič smí být bezpečně používán v souladu s normami:
ČSN 33 2000-4-482: Ochrana proti požáru v prostorách se zvláštním rizikem nebo nebezpečím
ČSN 33 2000-4-42: Ochrana před účinky tepla

- spotřebič je nutné umístit tak, aby stál nebo visel pevně na nehořlavém podkladu

Na spotřebič a do vzdálenosti menší než bezpečná vzdálenost od něho nesmějí být kladeny předměty z hořlavých hmot (nejmenší vzdálenost spotřebiče od hořlavých hmot je 10 cm).

Tabulka: stupeň hořlavosti stavební hmoty zařazené do st. hořlavosti (ČSN 730823) hmot a výrobků

Stupeň hořlavosti	Stavební hmoty
A - nehořlavé	žula, pískovec, betony, cihly, keramické obkladačky, omítky
B - nesnadno hořlavé	akumin, heraklit, lihnos, itaver
C1 - těžce hořlavé	dřevo, listnaté, překližky sirkoklit, tvrzený papír, umakart
C2 - středně hořlavé	dřevotřískové desky, solodur, korkové desky, pryž, podlahoviny
C3 - lehce hořlavé	dřevovláknité desky, polystyrén, polyureten, PVC

• informace o stupni hořlavosti běžných stavebních hmot uvádí tabulka níže. Spotřebiče musí být instalovány bezpečným způsobem. Při instalaci musí být dále respektovány příslušné projektové, bezpečnostní a hygienické předpisy dle:

- ČSN 06 1008 požární bezpečnost lokálních spotřebičů a zdrojů tepla
- ČSN 33 2000-4-482 ochrana proti požáru v prostorách se zvláštním rizikem nebo nebezpečím
- ČSN 33 2000-4-42 ochrana před účinky tepla

INSTALACE

Důležité:

Výrobce neposkytuje žádnou záruku na závady, vzniklé v důsledku nesprávného používání, nedodržování instrukcí obsažených v příloženém návodu k použití a špatným zacházením se spotřebiči.

Instalaci, úpravy a opravy spotřebičů pro velkokuchyně, tak jako i jejich demontáž z důvodu možného poškození přívodu plynu, mohou být prováděny pouze na základě smlouvy o údržbě, tato smlouva může být uzavřena s autorizovaným prodejcem, přičemž musí být dodržovány technické předpisy a normy a předpisy týkající se instalace, elektrického přívodu, plynové přípojky a bezpečnosti práce.

Technické instrukce pro instalaci a seřízení, k použití POUZE pro specializované techniky.

Instrukce, které následují, se obrací k technikovi kvalifikovanému pro instalaci, aby provedl všechny operace způsobem co nejkorektnějším a podle platných norem.

Jakákoli činnost spojená s regulací apod. musí být vykonána pouze se zařízením odpojeným ze sítě. Je - li nutno udržovat spotřebič pod napětím je nutno dbát nejvyšší opatrnosti.

Typ spotřebiče pro provedení odtahu je deklarován na typovém štítku, jedná se o spotřebiče typu A1.

PŘIPOJENÍ ELEKTRICKÉHO KABELU DO SÍTĚ

Instalace elektrického přívodu - tento přívod musí být samostatně jištěn. A to odpovídajícím jističem jmenovitého proudu v závislosti na příkonu instalovaného přístroje. Příkon přístroje zkontrolujte na výrobním štítku na zadním panelu (či boku) přístroje.

Připojený zemnicí vodič musí být delší než ostatní vodiče. Přístroj připojte přímo na síť, je nezbytné vložit mezi spotřebič a síť vypínač s minimální vzdáleností 3mm mezi jednotlivými kontakty, který odpovídá platným normám a zatížením. Přívod uzemnění (žlutozelený) nesmí tímto spínačem být přerušen. Přístroj určený pro připojení do zásuvky, připojte do sítě pokud má zásuvka odpovídající jištění.

V každém případě přívodní kabel musí být umístěn tak, že v žádném bodě nedosáhne teploty o 50 stupňů vyšší než prostředí. Než bude spotřebič připojen do sítě, je nutné se nejprve ujistit, že:

- přívodní jistič a vnitřní rozvod snesou proudové zatížení spotřebiče (viz štítek matrice)
- rozvod je vybaven účinným uzeměním podle norem (ČSN) a podmínek daných zákonem
- zásuvka nebo vypínač v přívodu jsou dobře přístupné od spotřebiče
- elektrický přívod do zařízení musí být z olejovzdorného materiálu

Vzdáváme se jakékoli zodpovědnosti v případě, že tyto normy nebudou respektovány a v případě porušení výše uvedených zásad.

Před prvním použitím musíte přístroj vyčistit viz. kapitola „čištění a údržba“. Spotřebič musí být uzemněn pomocí šroubu se značkou uzemnění.



- Tato etiketa označuje uzemňovací bod zařízení

NÁVOD K POUŽITÍ

Pozor! Než-li začnete přístroj používat, je nutné z celého povrchu sejmout ochranné fólie, a pak jej dobře omýt vodou se saponátem na nádobí, a poté otřít vlhkým hadrem. Před zahájením pečení nechte běžet pec cca 4 hodiny na 300 °C, aby se vypálily zbytky konzervačních přípravků.

Přístroj uvedete do provozu otočením hlavního vypínače (A) do stavu „I“ dle etikety na vypínači. Poté je přístroj pod napětím. Pomocí regulačních knoflíků termostatů můžete nezávisle regulovat horní (C) a dolní (B) topná tělesa, která se po nastavení požadované teploty uvedou do provozu. Topící tělesa signalizuje rozsvícení kontrolky (D) pro horní a spodní část komory. Pro vypnutí ohřevu topných těles nastavte termostat pro určené patro na teplotu 0°C. Vnitřní osvětlení komory se zapíná pomocí prosvětleného vypínače (E), sepnutím do stavu „I“ a jeho vypnutí do stavu „0“. Osvětlení funguje pouze, pokud je přístroj uveden do provozu pomocí hlavního vypínače (A). Pro vypnutí zařízení se ujistěte, že vnitřní osvětlení a topná tělesa jsou vypnuta, poté hlavní vypínač otočte do stavu „0“.

Před prvním použitím je nutné nastavit teplotu na 300 °C a nechat pec běžet 4 hodin. Po tomto vypálení pece je možné přistoupit k běžnému provozu.

Provozní doporučení

- Během pečení je nutné kontolovat stav pizz a popřípadě je pootočít, z důvodu stejnoměrného propečení.
- Při zahájení pečení zapnout komoru a termostaty nastavit na maximum. Po vyhřátí nastavit termostaty na provozní teplotu.
- Teplota nastavená na horním a dolním termostatu není většinou shodná. (Nižší teplota na dolním termostatu).
- Při zapnuté a prázdné peci roste teplota šamotových desek od horních těles.
- U dvoupatrových pecích dochází k přenosu tepla mezi horní a dolní komorou a naopak.
- Pravidelně čistěte šamotové desky příslušným nářadím.
- Ke každé peci lze přikoupit základní sadu nářadí.
- Světlo zapínejte pouze při pečení, zvýšíte tím životnost žárovek.
- Při přílišném vývinu páry v pracovním prostoru je možné otevřít pro její odvod parní klapkou s ovládacím táhlem na levé straně.

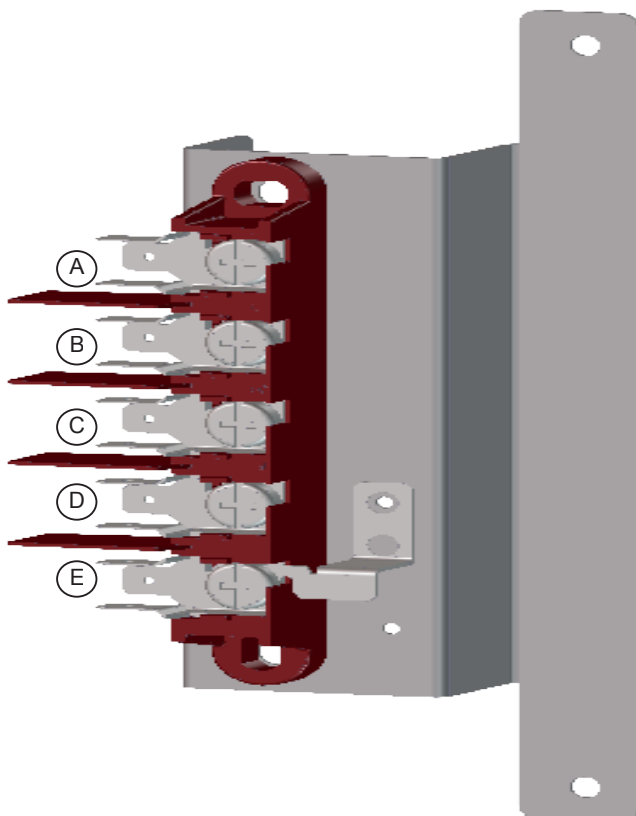
OVLÁDACÍ PANEL (OBR. 1)



- (A) Hlavní vypínač
- (B) Regulační knoflík dolního termostatu
- (C) Regulační knoflík horního termostatu
- (D) Kontrolky vyhřátí
- (E) Vypínač osvětlení
- (F) Teploměr
- (G) Táhlo ovládání klapky



PŘIPOJENÍ PŘÍVODNÍHO KABELU (OBR. 2)



- (A) L1(fáze)
- (B) L2
- (C) L3
- (D) nula
- (E) uzemění

ČIŠTĚNÍ A ÚDRŽBA

Čištění musí být provedeno po každém ukončení provozu a musí být provedeno v souladu s hygienickými předpisy. Vhodnou špachtlí a jemným drátěným kartáčem se odstraní napečené zbytky potravin. Musí se postupovat opatrně, aby nedošlo k poškození žáruvzdorných ploten. Pro čištění se nesmí používat tlaková sprcha, žádné korosivní a abrasivní prostředky, které by mohli narušit jednotlivé části a nebyli v souladu s hygienickými předpisy.

POZOR!

Zařízení se nesmí čistit přímou nebo tlakovou vodou. Čistěte zařízení denně. Denní údržba prodlužuje životnost a účinnost zařízení. Před započetím čištění se přesvědčte, jestli jste odpojili zařízení od elektrického proudu. Vždy vypněte hlavní přívod k zařízení. Nerezové části omyjte vlhkým hadrem se saponátem bez hrubých částic a vytřete do sucha. Nepoužívejte abrasivní nebo korosivní čisticí prostředky.

Pozor! Než-li začnete přístroj používat, je nutné z celého povrchu sejmout ochranné fólie, a pak jej dobře omýt vodou se saponátem na nádobí, a poté otřít vlhkým hadrem.

Jak postupovat v případě poruchy?

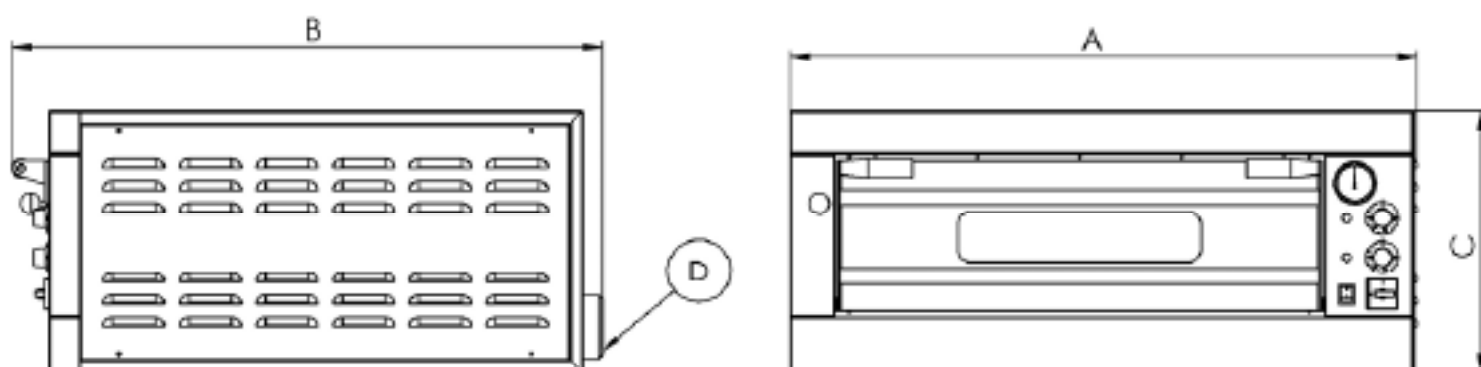
Vypněte elektrický přívod a zavolejte servisní organizaci prodejce.

UPOZORNĚNÍ

Záruka se navztahuje na všechny spotřební díly podléhající běžnému opotřebení (gumová těsnění, žárovky, skleněné a plastové díly atd.). Záruka se též nevztahuje na zařízení pokud není provedena instalace v souladu s návodem – oprávněným pracovníkem dle odpovídajících norem a pokud bylo se zařízením neodborně manipulováno (zásahy do vnitřního zařízení atd.) nebo bylo obsluhováno nezaškoleným personálem a v rozporu s návodem k použití, dále se záruka nevztahuje na poškození přírodními vlivy či jiným vnějším zásahem.

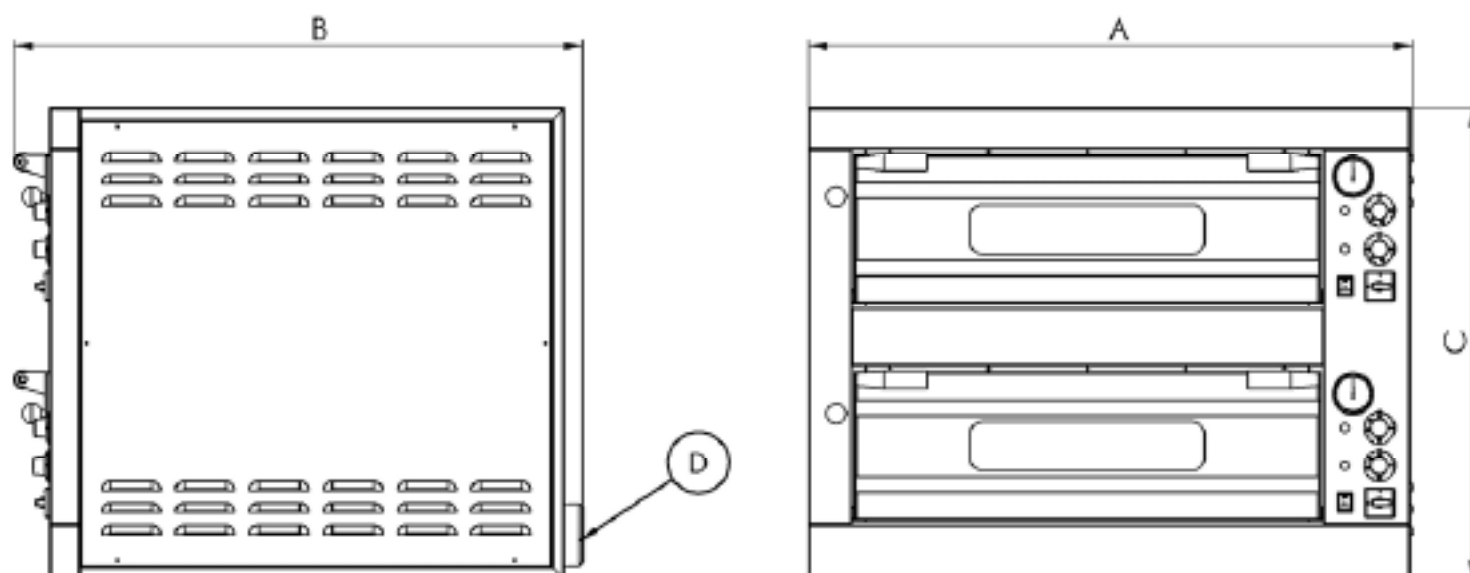
Přepravní obaly a zařízení po ukončení životnosti odevzdejte do sběru, dle předpisů o nakládání s odpadem a nebezpečným odpadem.

DIMENSION PLANS / MASSSKIZZEN / DIMENSIONS
P - 4, 6, 6L, 9, 9L



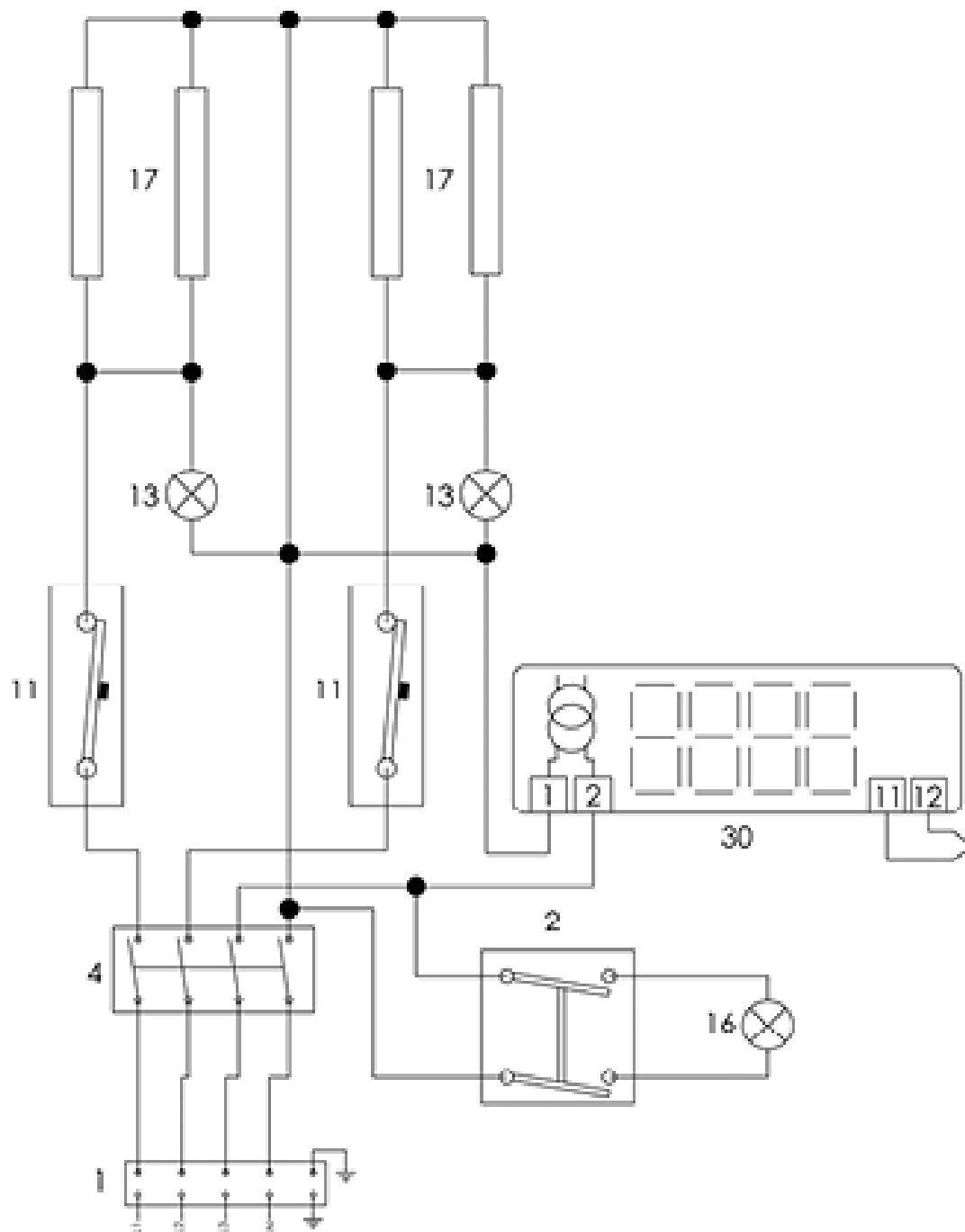
TYPE	A (CM)	B (CM)	C (CM)
P - 4	98	92	42
P - 6	98	127	42
P - 6 L	131	92	42
P - 9	131	127	42

DIMENSION PLANS / MASSSKIZZEN / DIMENSIONS
P - 8, 12, 12L, 18



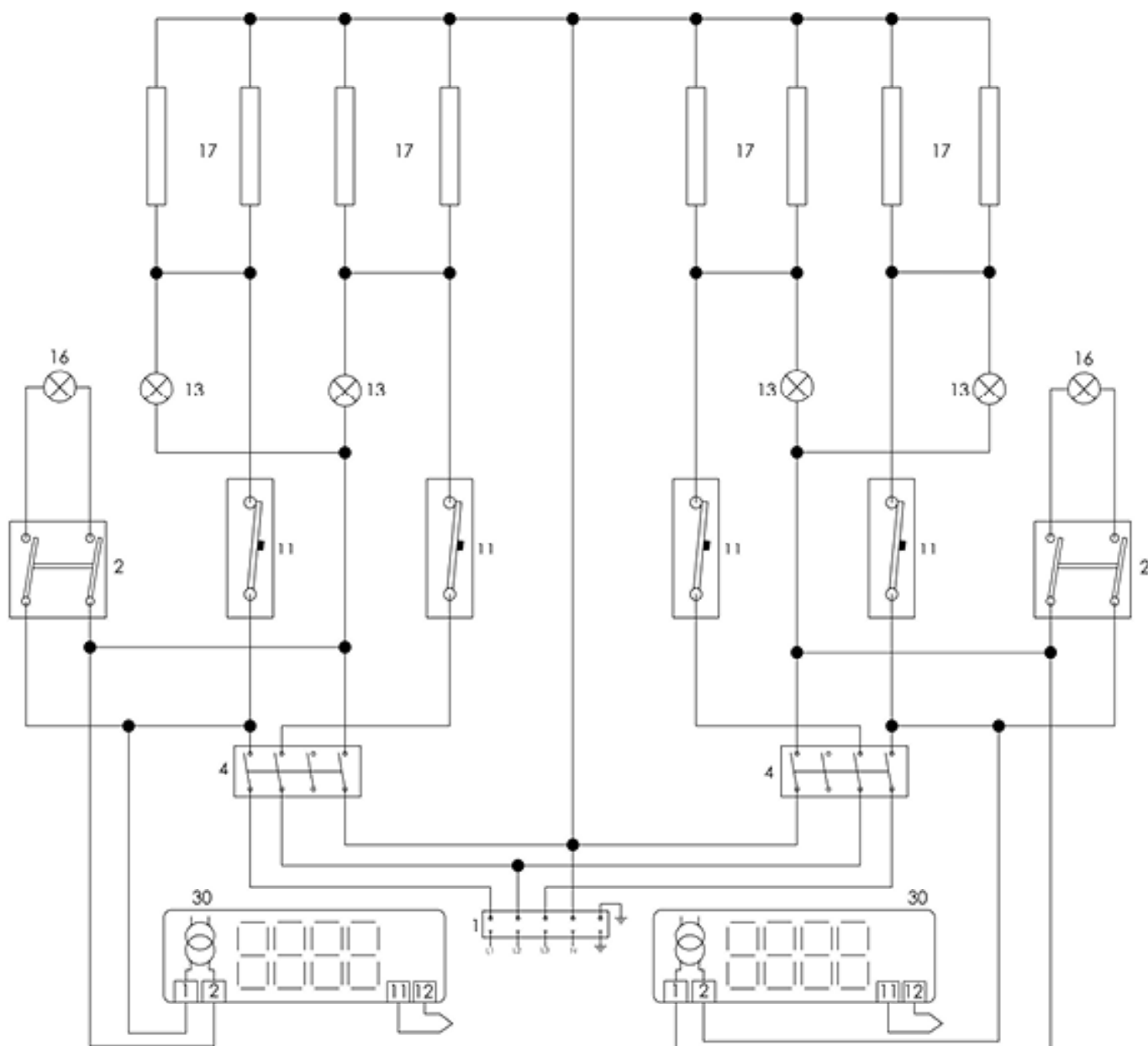
TYPE	A (CM)	B (CM)	C (CM)
P - 8	98	92	78
P - 12	98	127	75
P - 12 L	131	92	75
P - 18	131	127	75

SCHÉMA ZAPOJENÍ: P-4



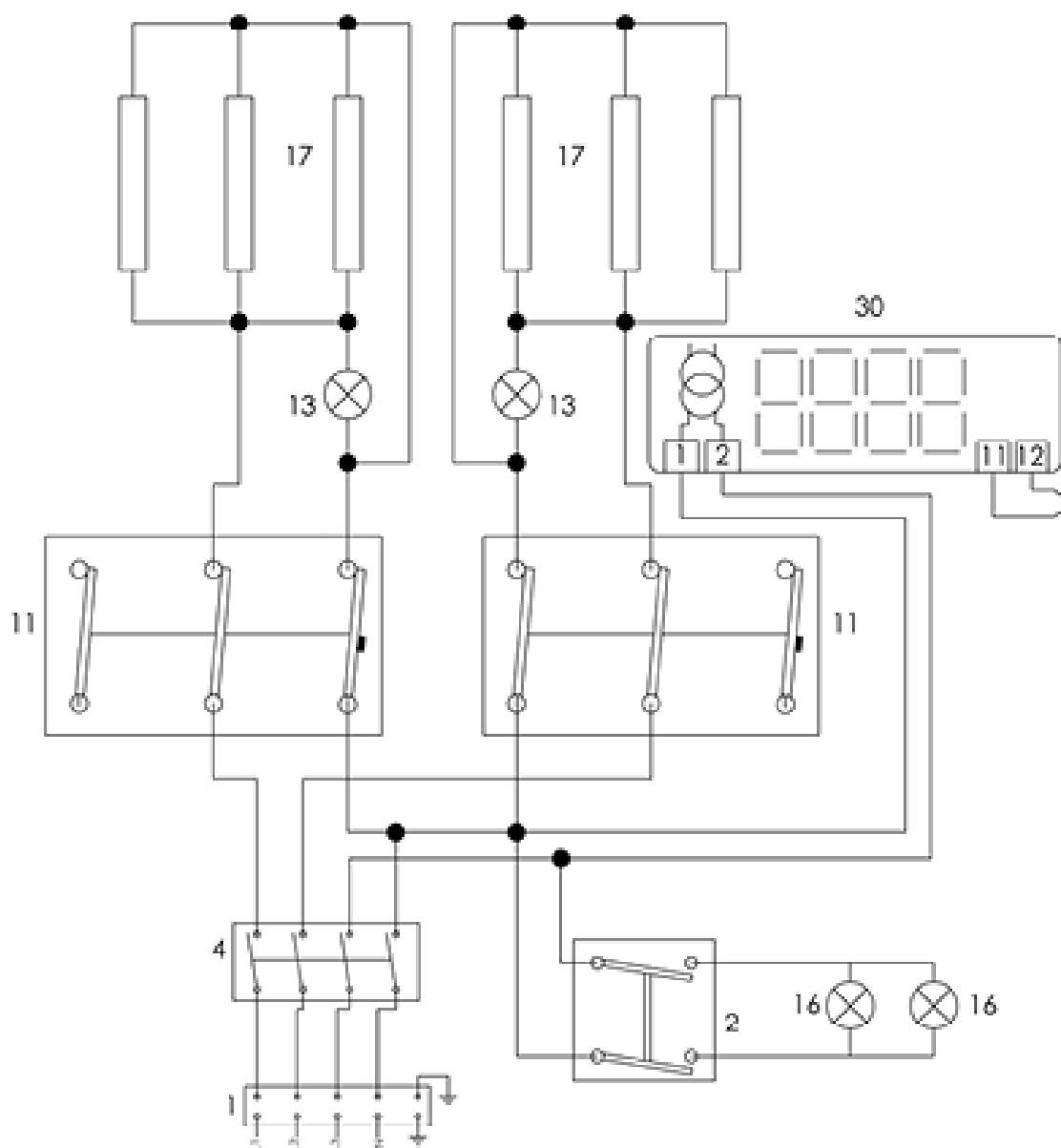
1- SVORKOVNICE	17- TOPNÉ TĚLESO
2- VYPÍNAČ O/I	18- PLOTÝNKA
3- VYPÍNAČ PROSVĚTLENÝ O/I	19- TRANSFORMÁTOR
4- PŘEPÍNAČ OTOČNÝ	20- POJISTKA
5- TLAČÍTKOVÝ SPÍNAČ	21- RHEOSTAT
6- KONCOVÝ SPÍNAČ	22- TERMOČLÁNEK
7- MIKROSPÍNAČ	23- ČIDLO
8- RELÉ	24- MOTOR ZDVIHU
9- KONTAKTY RELÉ	25- MOTOR VENTILÁTRU
10- ČASOVÝ SPÍNAČ	26- KONDENZÁTOR ROZBĚHOVÝ
11- TERMOSTAT PRACOVNÍ	27- ZAPALOVACÍ SVÍČKA
12- TERMOSTAT POJISTNÝ	28- PLYNOVÝ VENTIL (SIT)
13- KONTROLKA ORANŽOVÁ	29- ZÁSUVKA
14- KONTROLKA ZELENÁ	30- DIGITÁLNÍ TEPLMĚR
15- DIODA	31- ŘÍDÍCÍ JEDNOTKA
16- VNITŘNÍ OSVĚTLENÍ	

SCHÉMA ZAPOJENÍ : P-8



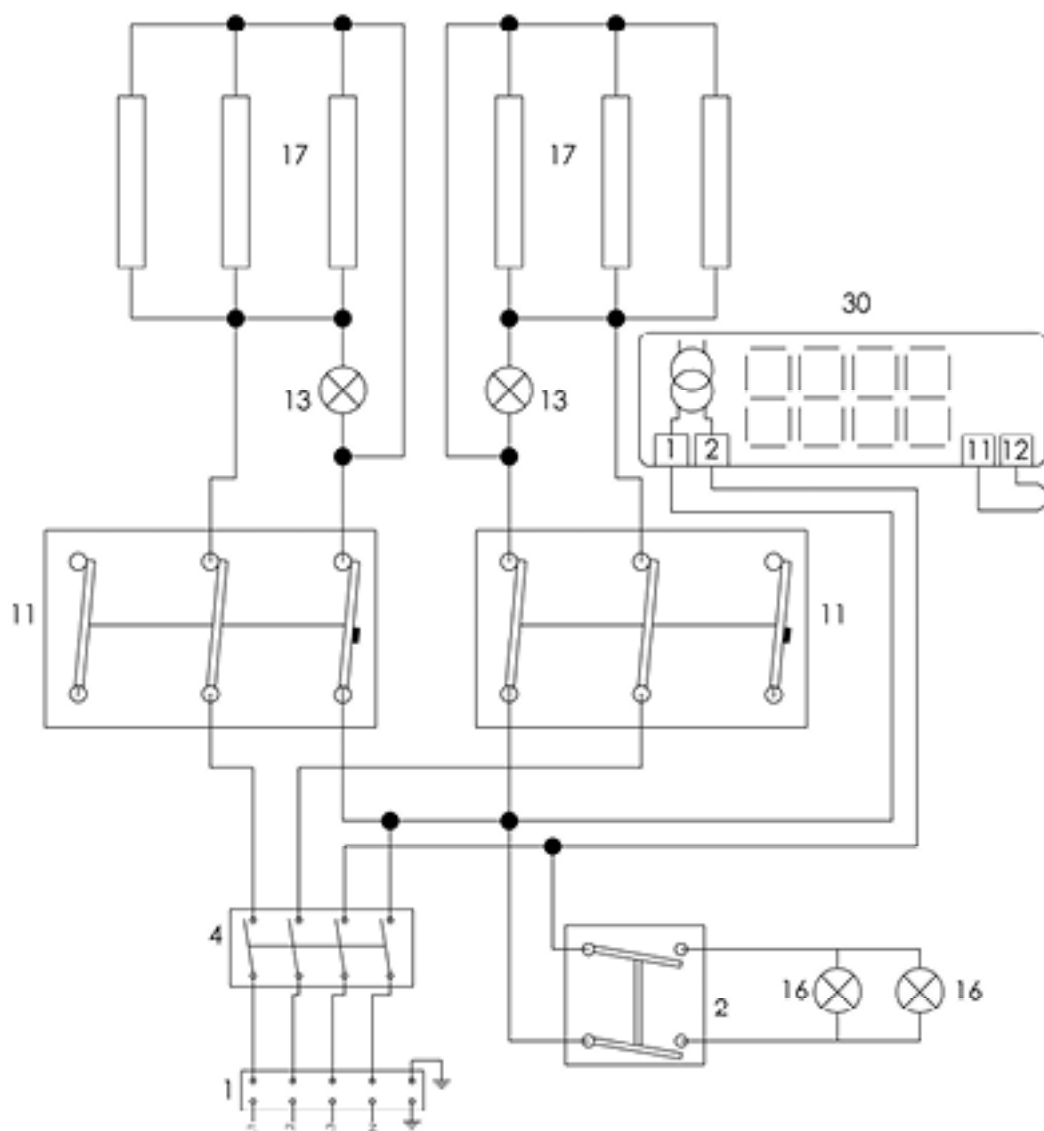
1- SVORKOVNICE	17- TOPNÉ TĚLESO
2- VYPÍNAČ O/I	18- PLOTÝNKA
3- VYPÍNAČ PROSVĚTLENÝ O/I	19- TRANSFORMÁTOR
4- PŘEPÍNAČ OTOČNÝ	20- POJISTKA
5- TLAČÍTKOVÝ SPÍNAČ	21- RHEOSTAT
6- KONCOVÝ SPÍNAČ	22- TERMOČLÁNEK
7- MIKROSPÍNAČ	23- ČIDLO
8- RELÉ	24- MOTOR ZDVIHU
9- KONTAKTY RELÉ	25- MOTOR VENTILÁTROU
10- ČASOVÝ SPÍNAČ	26- KONDENZÁTOR ROZBĚHOVÝ
11- TERMOSTAT PRACOVNÍ	27- ZAPALOVACÍ SVÍČKA
12- TERMOSTAT POJISTNÝ	28- PLYNOVÝ VENTIL (SIT)
13- KONTROLKA ORANŽOVÁ	29- ZÁSUVKA
14- KONTROLKA ZELENÁ	30- DIGITÁLNÍ TEPLMĚR
15- DIODA	31- ŘÍDÍCÍ JEDNOTKA
16- VNITŘNÍ OSVĚTLENÍ	

SCHÉMA ZAPOJENÍ: P-6



1- SVORKOVNICE	17- TOPNÉ TĚLESO
2- VYPÍNAČ 0/I	18- PLOTÝNKA
3- VYPÍNAČ PROSVĚTLENÝ 0/I	19- TRANSFORMÁTOR
4- PŘEPÍNAČ OTOČNÝ	20- POJISTKA
5- TLAČÍTKOVÝ SPÍNAČ	21- RHEOSTAT
6- KONCOVÝ SPÍNAČ	22- TERMOČLÁNEK
7- MIKROSPÍNAČ	23- ČIDL0
8- RELÉ	24- MOTOR ZDVIHU
9- KONTAKTY RELÉ	25- MOTOR VENTILÁTR0U
10- ČASOVÝ SPÍNAČ	26- KONDENZÁTOR ROZBĚHOVÝ
11- TERMOSTAT PRACOVNÍ	27- ZAPALOVACÍ SVÍČKA
12- TERMOSTAT POJISTNÝ	28- PLYNOVÝ VENTIL (SIT)
13- KONTROLKA ORANŽOVÁ	29- ZÁSUVKA
14- KONTROLKA ZELENÁ	30- DIGITÁLNÍ TEPL0MĚR
15- DIODA	31- ŘÍDÍCÍ JEDNOTKA
16- VNITRNÍ OSVĚTLENÍ	

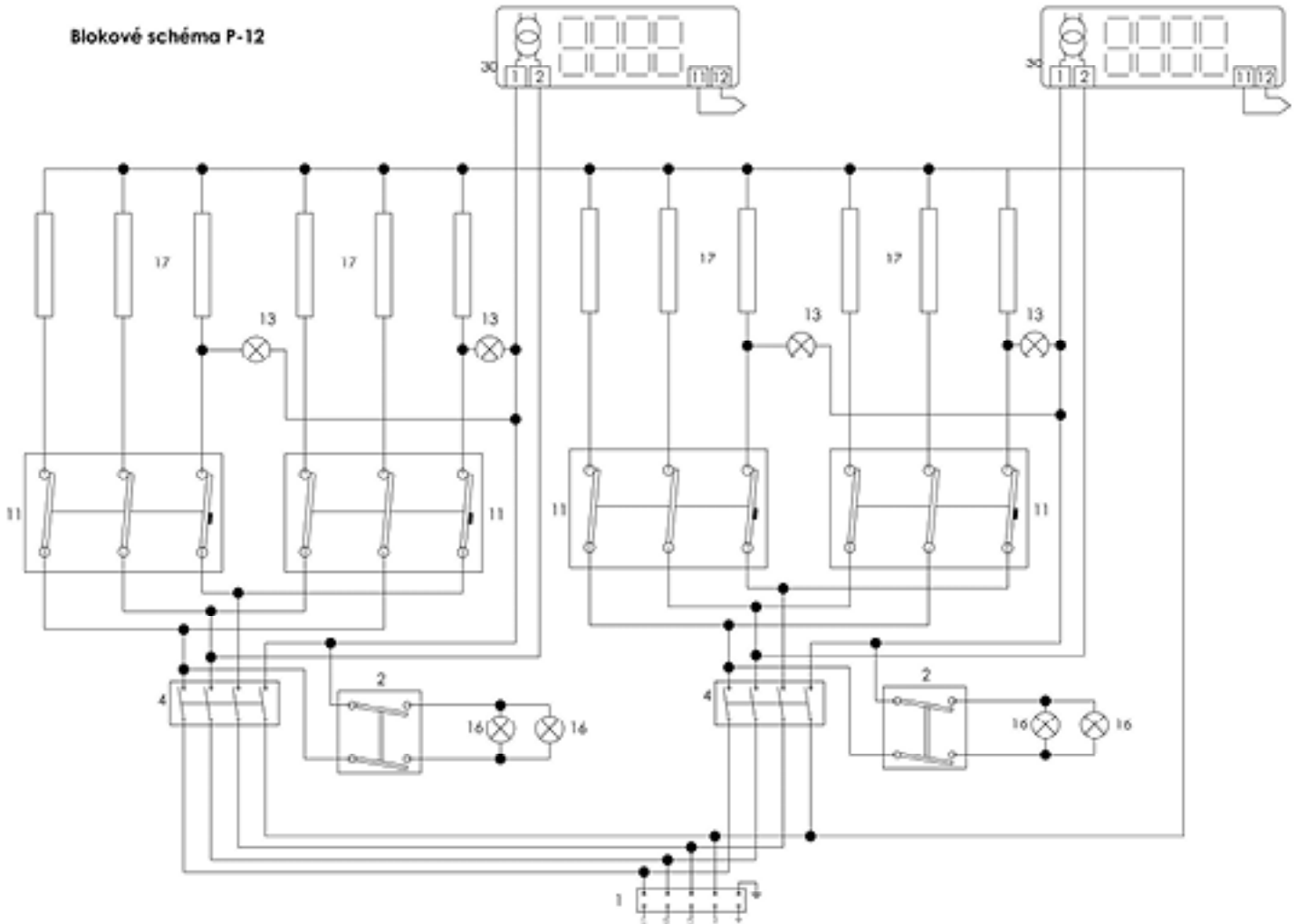
SCHÉMA ZAPOJENÍ: P-9



1- SVORKOVNICE	17- TOPNÉ TĚLESO
2- VYPÍNAČ O/I	18- PLOTÝNKA
3- VYPÍNAČ PROSVĚTLENÝ O/I	19- TRANSFORMÁTOR
4- PŘEPÍNAČ OTOČNÝ	20- POJISTKA
5- TLAČÍTKOVÝ SPÍNAČ	21- RHEOSTAT
6- KONCOVÝ SPÍNAČ	22- TERMOČLÁNEK
7- MIKROSPÍNAČ	23- ČIDLŮ
8- RELÉ	24- MOTOR ZDVIHU
9- KONTAKTY RELÉ	25- MOTOR VENTILÁTRU
10- ČASOVÝ SPÍNAČ	26- KONDENZÁTOR ROZBĚHOVÝ
11- TERMOSTAT PRACOVNÍ	27- ZAPALOVACÍ SVÍČKA
12- TERMOSTAT POJISTNÝ	28- PLYNOVÝ VENTIL (SIT)
13- KONTROLKA ORANŽOVÁ	29- ZÁSUVKA
14- KONTROLKA ZELENÁ	30- DIGITÁLNÍ TEPLOMĚR
15- DIODA	31- ŘÍDÍCÍ JEDNOTKA
16- VNITRNÍ OSVĚTLENÍ	

SCHÉMA ZAPOJENÍ: P-12

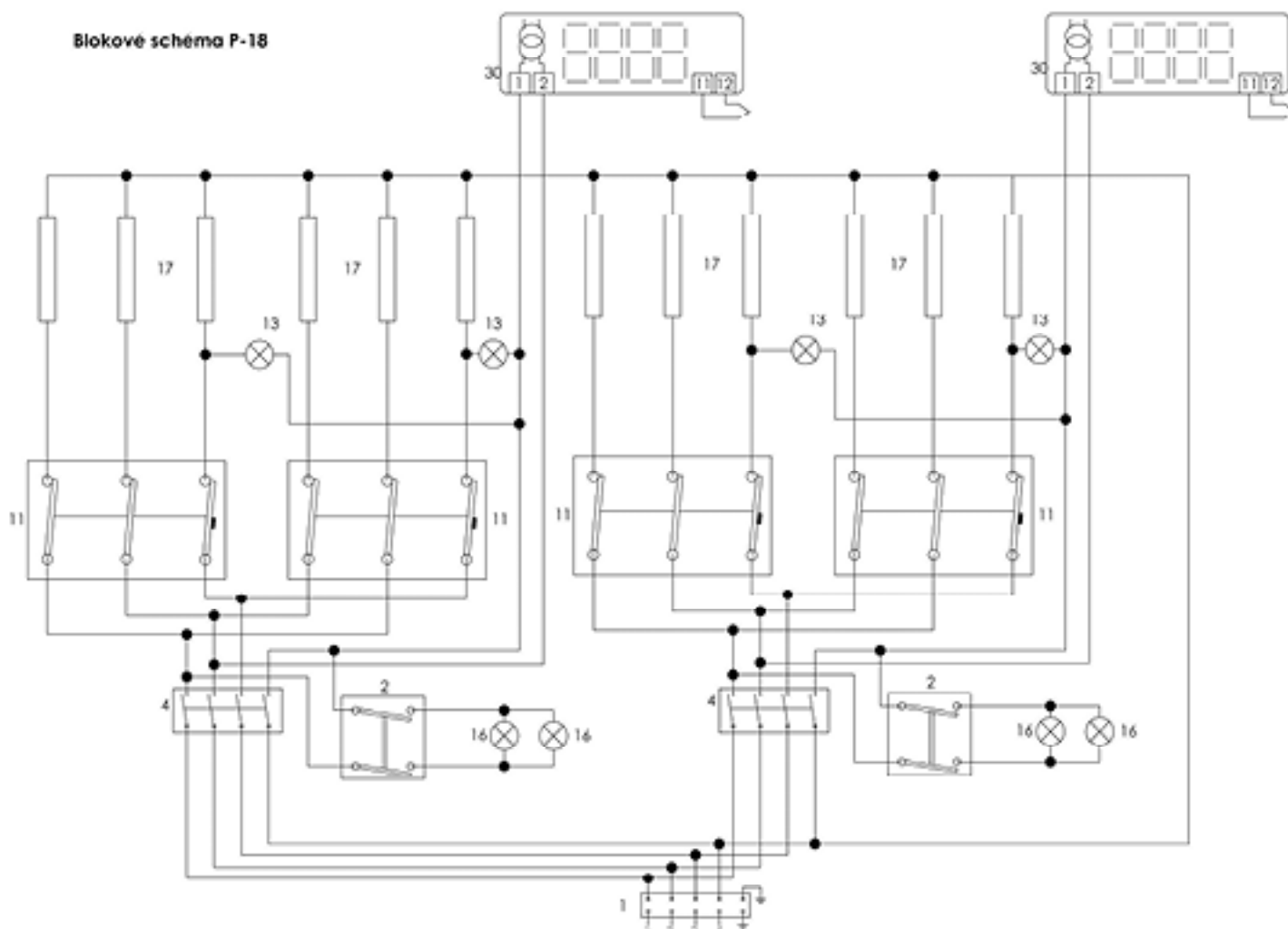
Blokové schéma P-12



1- SVORKOVNICE	17- TOPNÉ TĚLESO
2- VYPÍNAČ 0/I	18- PLOTÝNKA
3- VYPÍNAČ PROSVĚTLENÝ 0/I	19- TRANSFORMÁTOR
4- PŘEPÍNAČ OTOČNÝ	20- POJISTKA
5- TLAČÍTKOVÝ SPÍNAČ	21- RHEOSTAT
6- KONCOVÝ SPÍNAČ	22- TERMOČLÁNEK
7- MIKROSPÍNAČ	23- ČIDLO
8- RELÉ	24- MOTOR ZDVIHU
9- KONTAKTY RELÉ	25- MOTOR VENTILÁTRU
10- ČASOVÝ SPÍNAČ	26- KONDENZÁTOR ROZBĚHOVÝ
11- TERMOSTAT PRACOVNÍ	27- ZAPALOVACÍ SVÍČKA
12- TERMOSTAT POJISTNÝ	28- PLYNOVÝ VENTIL (SIT)
13- KONTROLKA ORANŽOVÁ	29- ZÁSUVKA
14- KONTROLKA ZELENÁ	30- DIGITÁLNÍ TEPLMĚR
15- DIODA	31- ŘÍDÍCÍ JEDNOTKA
16- VNITŘNÍ OSVĚTLENÍ	

SCHÉMA ZAPOJENÍ: P-18

Blokové schéma P-18



1- SVORKOVNICE	17- TOPNÉ TĚLESO
2- VYPÍNAČ O/I	18- PLOTÝNKA
3- VYPÍNAČ PROSVĚTLENÝ O/I	19- TRANSFORMÁTOR
4- PŘEPÍNAČ OTOČNÝ	20- POJISTKA
5- TLAČÍTKOVÝ SPÍNAČ	21- RHEOSTAT
6- KONCOVÝ SPÍNAČ	22- TERMOČLÁNEK
7- MIKROSPÍNAČ	23- ČIDLO
8- RELÉ	24- MOTOR ZDVIHU
9- KONTAKTY RELÉ	25- MOTOR VENTILÁTRU
10- ČASOVÝ SPÍNAČ	26- KONDENZÁTOR ROZBĚHOVÝ
11- TERMOSTAT PRACOVNÍ	27- ZAPALOVACÍ SVÍČKA
12- TERMOSTAT POJISTNÝ	28- PLYNOVÝ VENTIL (SIT)
13- KONTROLKA ORANŽOVÁ	29- ZÁSUVKA
14- KONTROLKA ZELENÁ	30- DIGITÁLNÍ TEPLMĚR
15- DIODA	31- ŘÍDÍCÍ JEDNOTKA
16- VNITŘNÍ OSVĚTLENÍ	

List of service organizations:

CZ: RM GASTRO CZ s. r. o., Náchodská 818/16, Praha 9

Tel. +420 281 926 604, info@rmgastro.cz, www.rmgastro.cz

SK: RM Gastro Slovakia, Rybárska 1, Nové Město nad Váhom

Tel.: +421 32 7717061, obchod@rmgastro.sk, www.rmgastro.sk

PL: RM GASTRO Polska Sp. z o. o., ul. Skoczowska 94, 43-450 Ustroń

Tel.: +33 854 73 26, www.rmgastro.pl